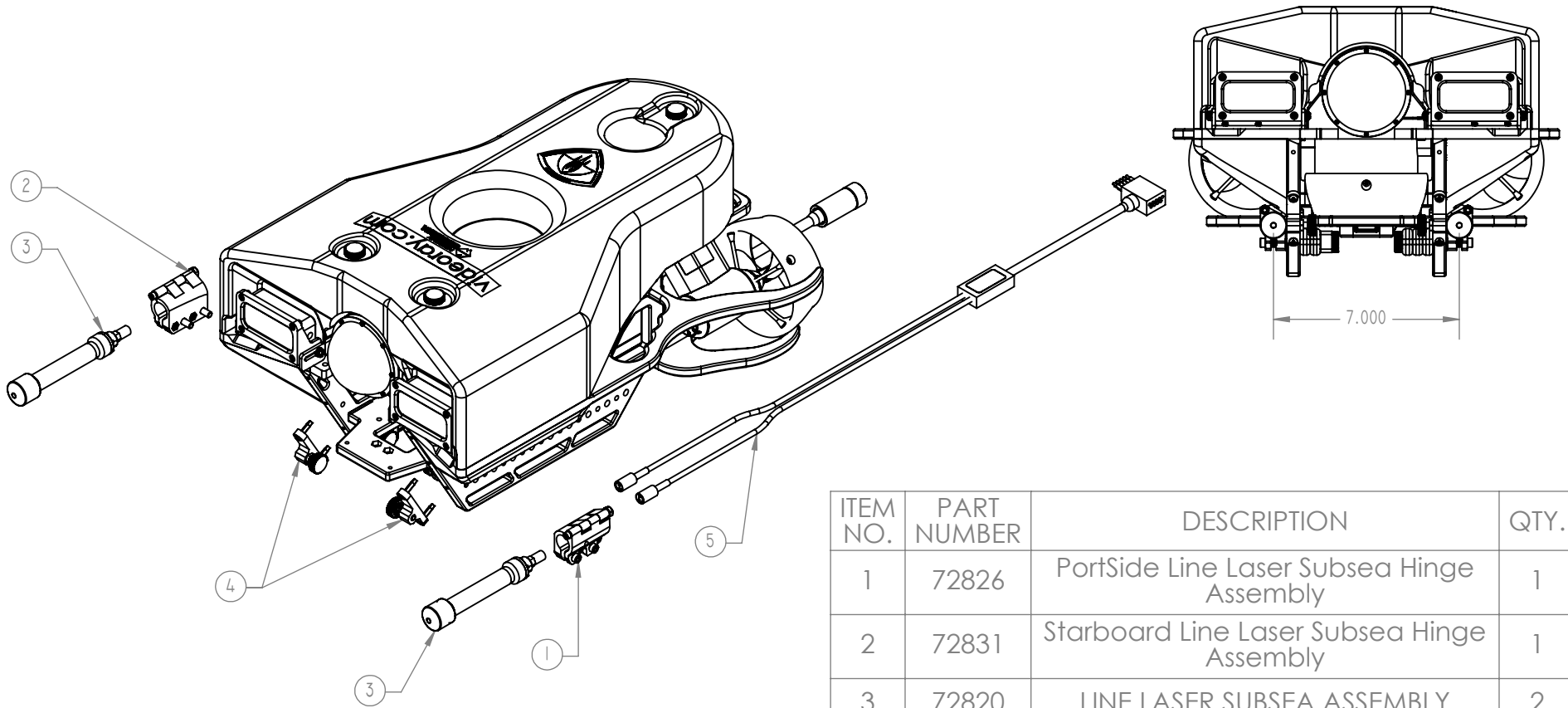


REVISIONS				
ZONE	REV.	DESCRIPTION	DATE	APPROVED
---	---	---	---	---
---	---	---	---	---
---	X-01	INITIAL	07/20/2022	MW



ITEM NO.	PART NUMBER	DESCRIPTION	QTY.
1	72826	PortSide Line Laser Subsea Hinge Assembly	1
2	72831	Starboard Line Laser Subsea Hinge Assembly	1
3	72820	LINE LASER SUBSEA ASSEMBLY	2
4	72832	Parallel Line Laser Alignment Assembly	2
5	72865	LINE LASER SCALAR Y-CABLE TO 9 PIN - PRO 5	1

	212 EAST HIGH STREET, POTTSTOWN, PA 19464 USATEL: +1 610-458-3000 FAX: +1 610-458-3010 WWW.VIDEORAY.COM		
	TITLE: PARALLEL LINE LASER ASSEMBLY - PRO 5		
	PART NO:	72833	SCALE:
	MATERIAL:	---	
	DRN: MW	07/20/2022	
	CHK: ---	---	
	APP: ---	---	
	SHEET TITLE: DRAWING	CAGE CODE: 1WC35	WEIGHT:
	REV: X-01	STATUS: DEVELOPMENT	SIZE: A SHEET: 1 OF 1

NOTICE OF PROPRIETARY INFORMATION

THE INFORMATION CONTAINED IN THIS DRAWING IS THE SOLE PROPERTY OF VIDEORAY, LLC. ANY REPRODUCTION IN PART OR AS A WHOLE WITHOUT THE WRITTEN PERMISSION OF VIDEORAY, LLC IS PROHIBITED.

PLOT DATE: 7/20/2022 4:01:02 PM