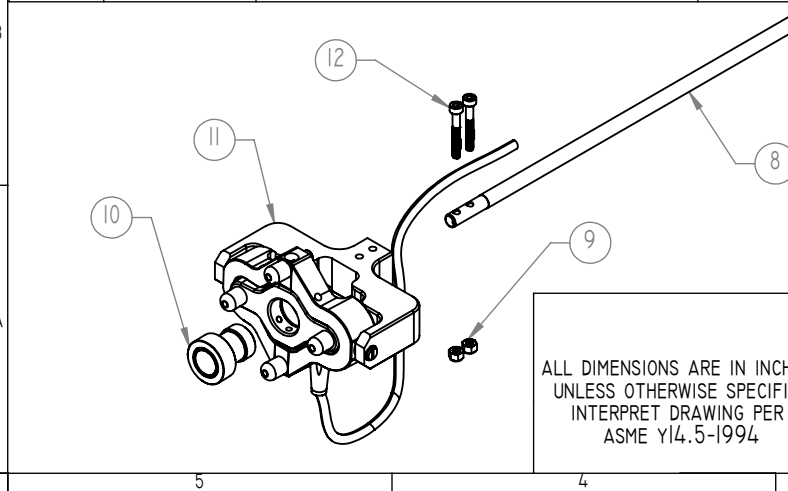


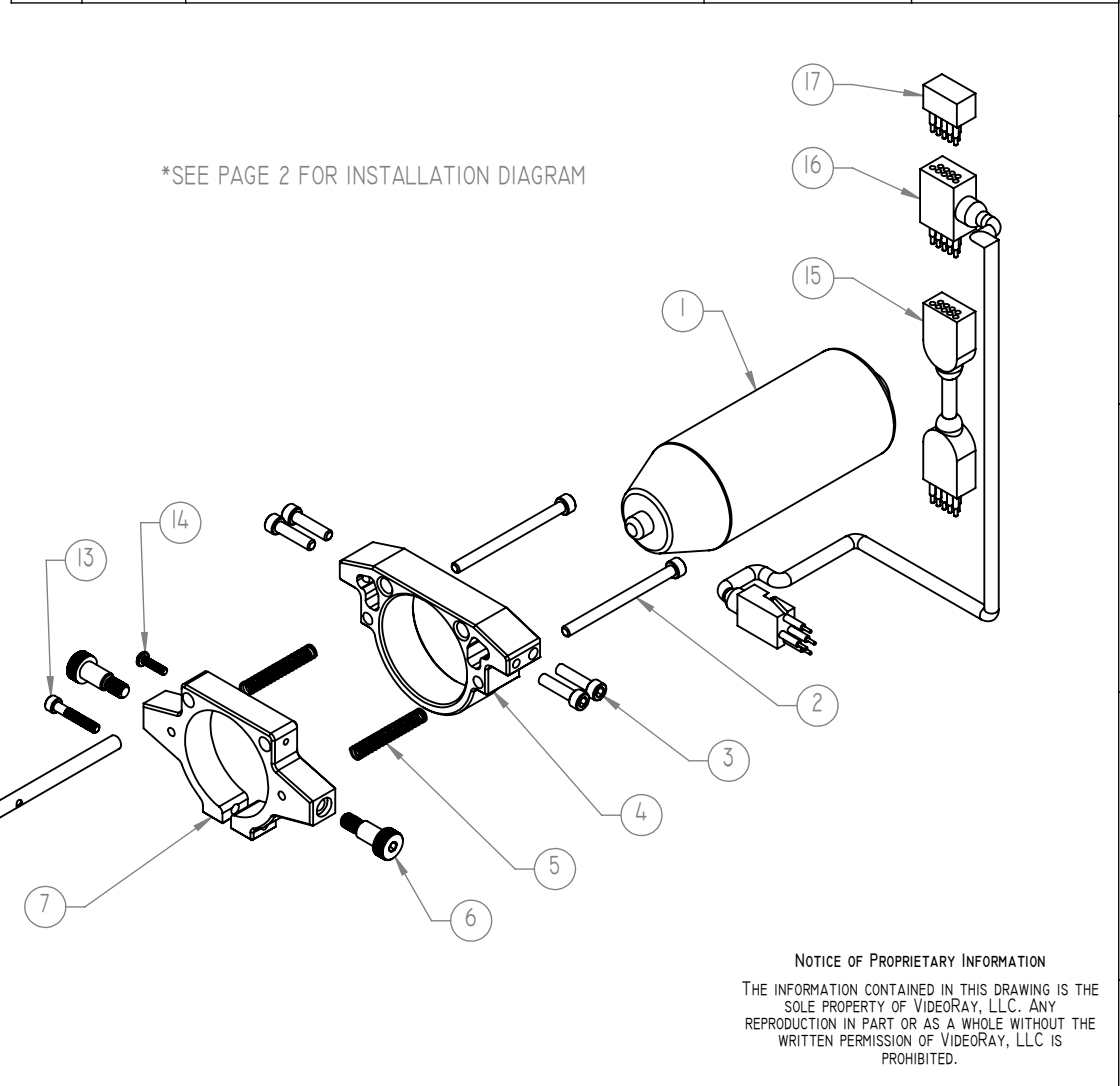
PLOT DATE: 8/20/2019 10:48:37 AM

ITEM NO.	PART NUMBER	DESCRIPTION	QTY.
1	71916	Cygnus Mini ROV Mountable	1
2	71525	SHCS M6 X 80MM 18-8 SS	2
3	71566	SHCS M6 X 25MM 18-8 SS	4
4	72188	Cygnus Mini Pro 5 Mountable Guide	1
5	72189	Compression Spring; .313" OD x 2" L; 302 SS	2
6	72187	SHCS M8 Thread; Ø10MM X 16MM LG Shoulder	2
7	72186	Cygnus Mini Pro 5 Mountable Clamp	1
8	72185	Cygnus Probe Extension Tube - Pro 5	1
9	70873	M4 NYLOCK HEX NUT 18-8 SS	2
10	72206	CYGNUS 2.25 MHz 1/2" G1 PROBE	1
11	71915	CYGNUS G1 PROBE HANDLER	1
12	70875	SHCS M4 X 30 MM 18-8 SS	2
13	71023	SHCS M5 X 30MM 18-8 SS	1
14	71961	PHPS 8-32 X 5/8" 18-8 SS	1
15	70571	9-Pin M to 9-Pin F Extension Cable - 21"	1
16	72204	CYGNUS UT ROV MOUNTABLE CABLE 9 PIN M/F	1
17	70566	9-Pin M Dummy Plug - TRIMMED	1



REVISIONS				
ZONE	REV.	DESCRIPTION	DATE	APPROVED
	X-01	INITIAL	8/1/2019	
	R	ADDED CABLES	8/19/2019	
	R-01	ADDED PROBE ITEM NUMBER	8/20/2019	MW

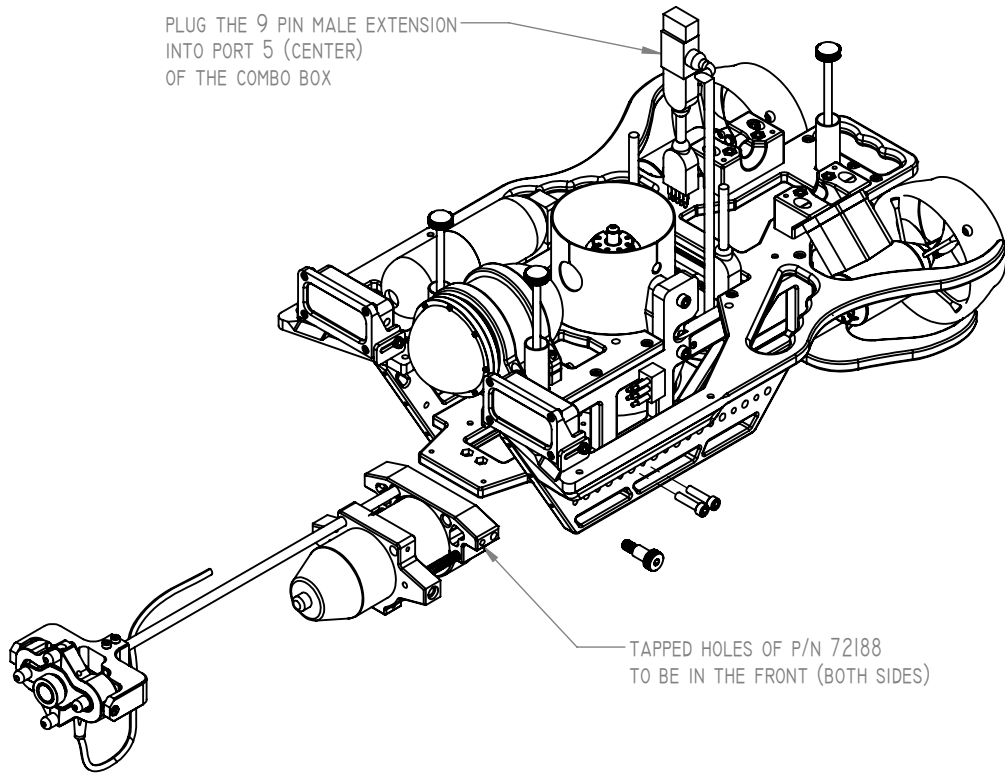
*SEE PAGE 2 FOR INSTALLATION DIAGRAM



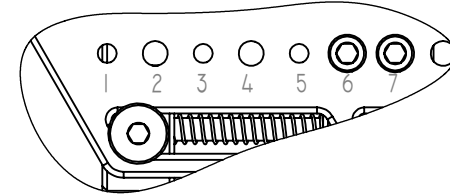
NOTICE OF PROPRIETARY INFORMATION
 THE INFORMATION CONTAINED IN THIS DRAWING IS THE SOLE PROPERTY OF VIDEORAY, LLC. ANY REPRODUCTION IN PART OR AS A WHOLE WITHOUT THE WRITTEN PERMISSION OF VIDEORAY, LLC IS PROHIBITED.

ALL DIMENSIONS ARE IN INCHES UNLESS OTHERWISE SPECIFIED INTERPRET DRAWING PER ASME Y14.5-1994		TOLERANCES UNLESS OTHERWISE SPECIFIED: X.X ±0.03 X.XX ±0.010 X.XXX ±0.005 FRACTIONS ±1/16 ANGLES ±0.5		212 EAST HIGH STREET, POTTSTOWN, PA 19464 USATEL: +1 610-458-3000 FAX: +1 610-458-3010 WWW.VIDEORAY.COM
DRN: MW 8/17/2019		TITLE: PRO 5 UT GAUGE KIT		
CHK: - APP: -		PART NO: 72182	SCALE:	
THIRD ANGLE		MATERIAL:	WEIGHT:	
SHEET TITLE: SHEET 1		REV: R-01	STATUS: RTM	
SIZE: A		SHEET: 1 OF 2		

PLUG THE 9 PIN MALE EXTENSION
INTO PORT 5 (CENTER)
OF THE COMBO BOX

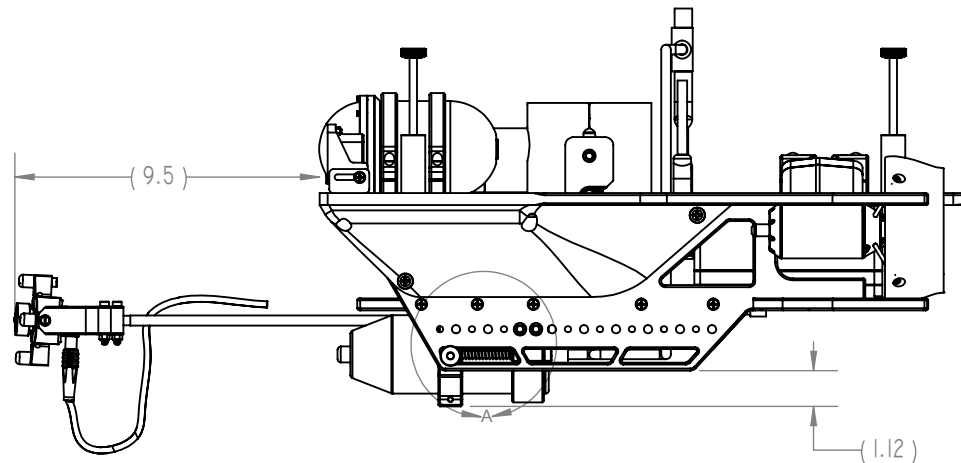


M6 X 25MM BOLTS TO BE INSERTED
THROUGH THE 6TH AND 7TH HOLES
FROM THE FRONT BOTH SIDES



DETAIL A

TAPPED HOLES OF P/N 72188
TO BE IN THE FRONT (BOTH SIDES)



PLOT DATE: 8/20/2019 10:48:37 AM

		212 EAST HIGH STREET, POTTSTOWN, PA 19464	
		USATEL: +1 610-458-3000 FAX: +1 610-458-3010 WWW.VIDEORAY.COM	
TITLE: PRO 5 UT GAUGE KIT		SCALE:	
PART NO: 72182		MATERIAL:	
DRN: MW 8/1/2019		SHEET TITLE: SHEET 2	
THIRD ANGLE		WEIGHT:	
CHK: -	APP: -	REV: R-01	STATUS: RTM
		SIZE: A	SHEET: 2 OF 2