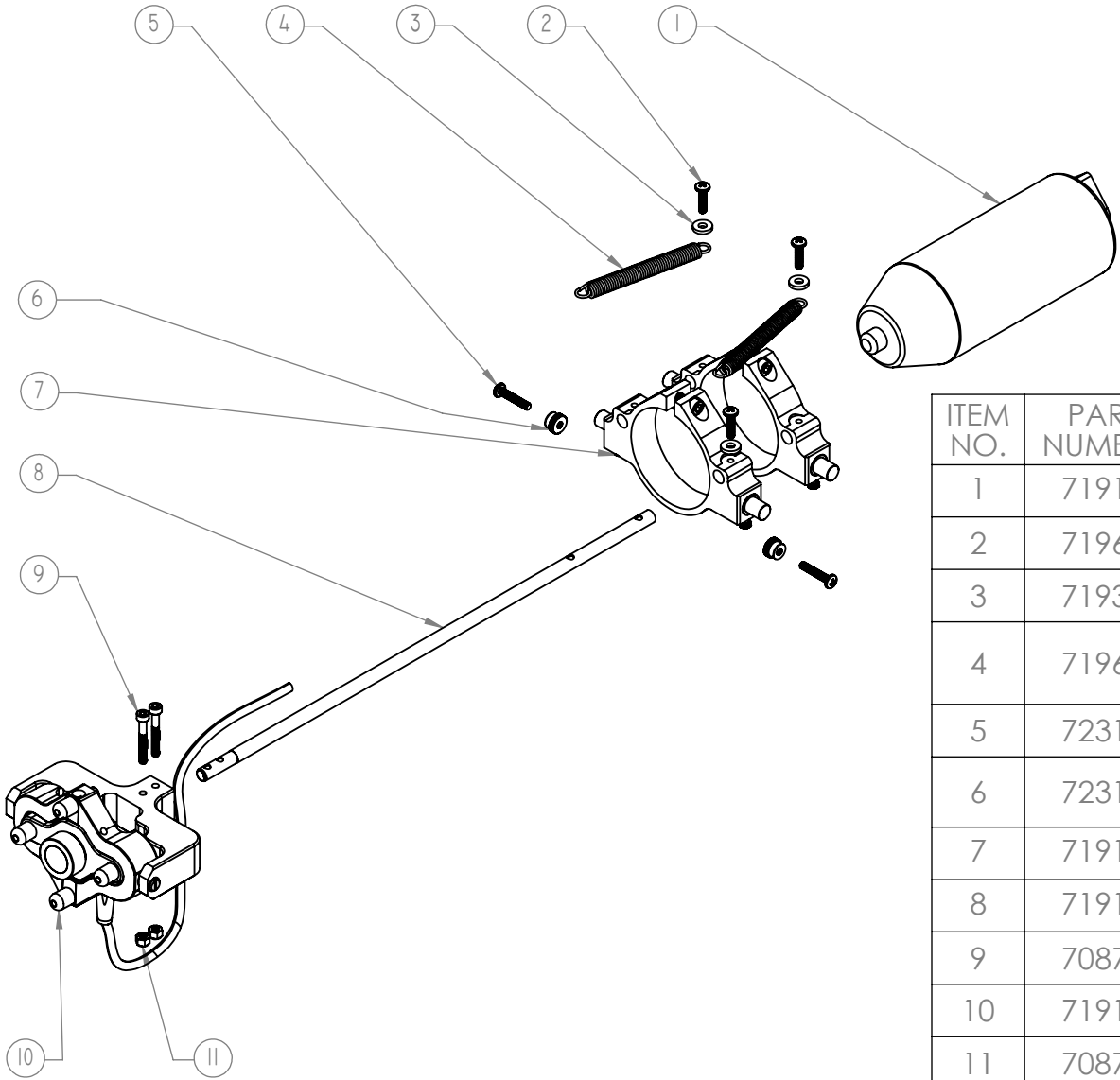


REVISIONS				
ZONE	REV.	DESCRIPTION	DATE	APPROVED
	A	INITIAL RELEASE	2/18/2020	MW



\*SEE SHEET 2 FOR INSTALLATION DIAGRAM

ITEM NO.	PART NUMBER	DESCRIPTION	QTY.
1	71916	Cygnus Mini ROV Mountable	1
2	71961	PHPS 8-32 X 5/8" 18-8 SS	1
3	71939	Washer - #8 - .438" OD 316 SS	1
4	71966	EXTENSION SPRING; .36" OD X 3.5" L; LOOPED ENDS; 302 SS	2
5	72311	PHPS 8-32 X 7/8" 18-8 SS	2
6	72310	THUMB NUT 8-32 18-8 SS, FLANGED & KNURLED	2
7	71914	Cygnus UT Probe Clamp Assembly	2
8	71913	Cygnus Probe Extension Tube	1
9	70875	SHCS M4 X 30 MM 18-8 SS	2
10	71915	CYGNUS G1 PROBE HANDLER	1
11	70873	M4 NYLOCK HEX NUT 18-8 SS	2

NOTICE OF PROPRIETARY INFORMATION  
 THE INFORMATION CONTAINED IN THIS DRAWING IS THE  
 SOLE PROPERTY OF VIDEORAY, LLC. ANY  
 REPRODUCTION IN PART OR AS A WHOLE WITHOUT THE  
 WRITTEN PERMISSION OF VIDEORAY, LLC IS  
 PROHIBITED.

**VideoRay**

212 EAST HIGH STREET, POTTSTOWN, PA 19464  
 USATEL: +1 610-458-3000 FAX: +1 610-458-3010  
 WWW.VIDEORAY.COM

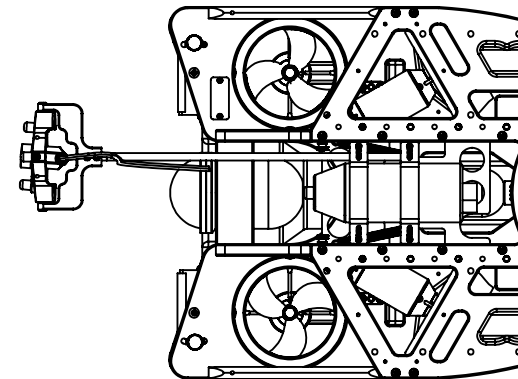
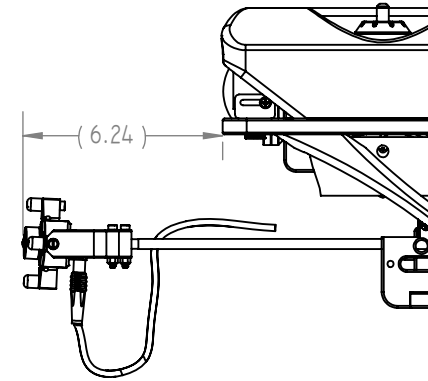
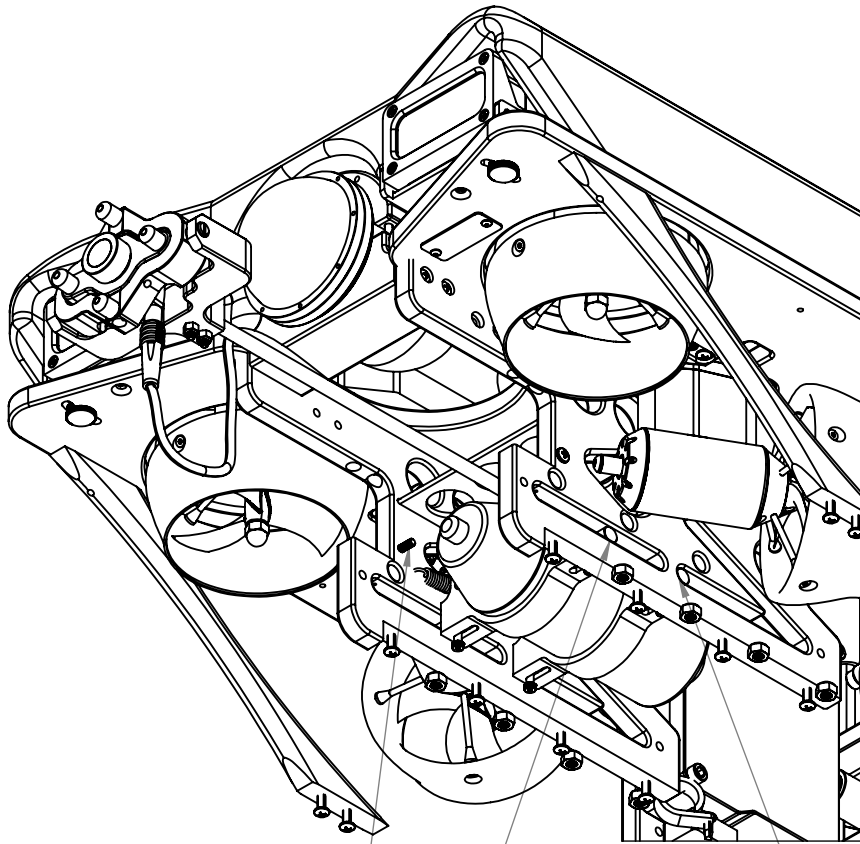
TITLE: MSS DEFENDER KIT UT GAUGE SYSTEM  
 PART NO: 71873 SCALE:

THIRD ANGLE DRN: MW 4/12/2019  
 CHK: JV 2/18/2020  
 APP: MW 2/18/2020

MATERIAL: SHEET1 WEIGHT:  
 REV: A STATUS: PRODUCTION SIZE: A SHEET: 1 OF 2

PLOT DATE: 2/18/2020 10:52:39 AM


\*PARTS NOT SHOWN FOR CLARITY



FEED SPRING LOOP END  
OVER BOLT (ITEM 5)  
SCREW ON NUT (ITEM 6)  
BOTH SIDES

DEPRESS PINS, FIT INTO  
SLOTS, THEN LET GO  
(BOTH SIDES)

PLOT DATE: 2/18/2020 10:52:39 AM

		212 EAST HIGH STREET, POTTSTOWN, PA 19464 USATEL: +1 610-458-3000 FAX: +1 610-458-3010 WWW.VIDEORAY.COM			
		TITLE: MSS DEFENDER KIT UT GAUGE SYSTEM		SCALE:	
PART NO: 71873		MATERIAL:		WEIGHT:	
THIRD ANGLE		SHEET TITLE: SHEET 2		SIZE: A	
DRN: MW	4/12/2019	REV: A	STATUS: PRODUCTION	SHEET: 2 OF 2	
CHK: JV	2/18/2020				
APP: MW	2/18/2020				