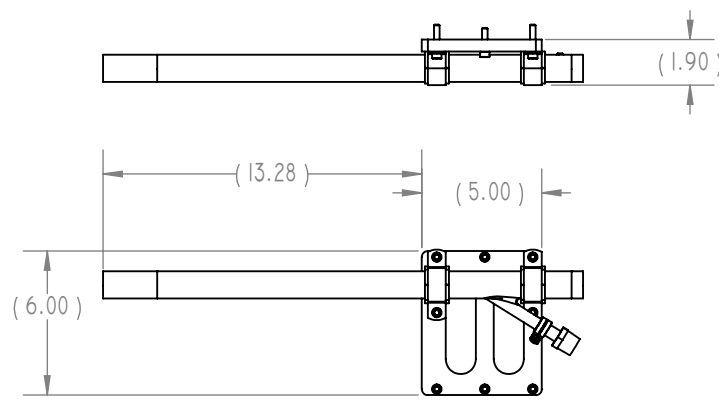
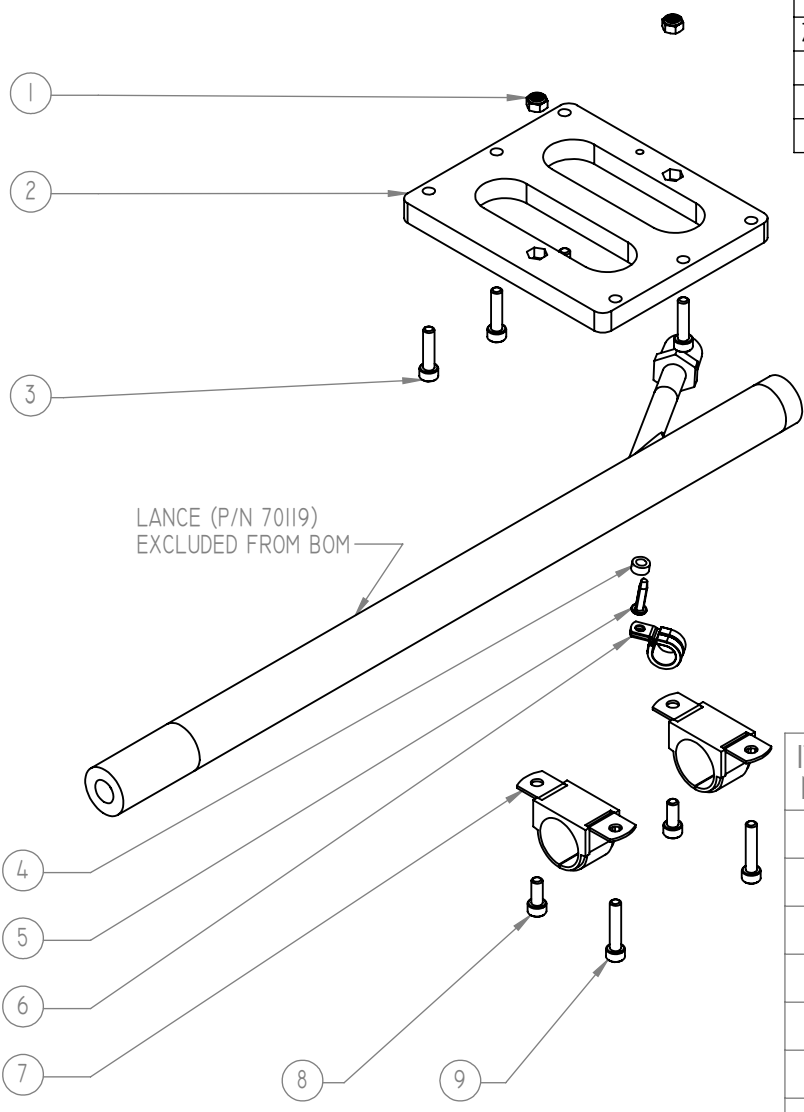


REVISIONS				
ZONE	REV.	DESCRIPTION	DATE	APPROVED
---	---	---	---	---
---	A	APPROVED	02/19/2020	MW
---	B	REMOVED LANCE FROM BOM	10/19/2022	MW



ITEM NO.	PART NUMBER	DESCRIPTION	QTY.
1	70877	M6 NYLOCK HEX NUT 18-8 SS	2
2	71877	CAVIBLASTER STRAIGHT LANCE MOUNTING PLATE	1
3	71566	SHCS M6 X 25MM 18-8 SS	4
4	71878	UNTHREADED SPACER; 3/8" OD X 3/16" LONG	1
5	71432	PLASTITE #8 X 3/4" 18-8 SS	1
6	71876	VIBRATION DAMPING LOOP CLAMP; 1/2" ID	1
7	71875	VIBRATION DAMPING PIPE CLAMP; 1-1/8" ID	2
8	71879	SHCS M6 X 15MM 316 SS	2
9	71451	SHCS M6 x 30MM 18-8 SS	2

NOTE: SEE BOM-71896 FOR FITTINGS LISTED TO ATTACH LANCE TO HOSE

PLOT DATE: 10/19/2022 2:36:43 PM

NOTICE OF PROPRIETARY INFORMATION

THE INFORMATION CONTAINED IN THIS DRAWING IS THE SOLE PROPERTY OF VideoRay, LLC. ANY REPRODUCTION IN PART OR AS A WHOLE WITHOUT THE WRITTEN PERMISSION OF VideoRay, LLC IS PROHIBITED.

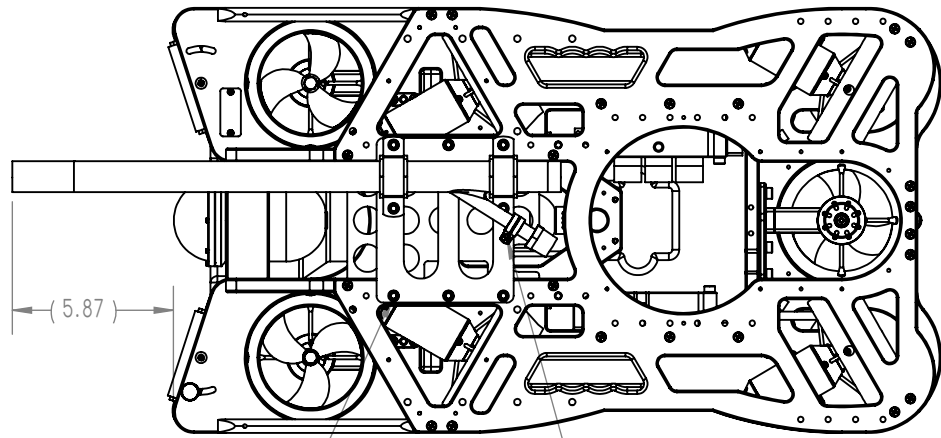
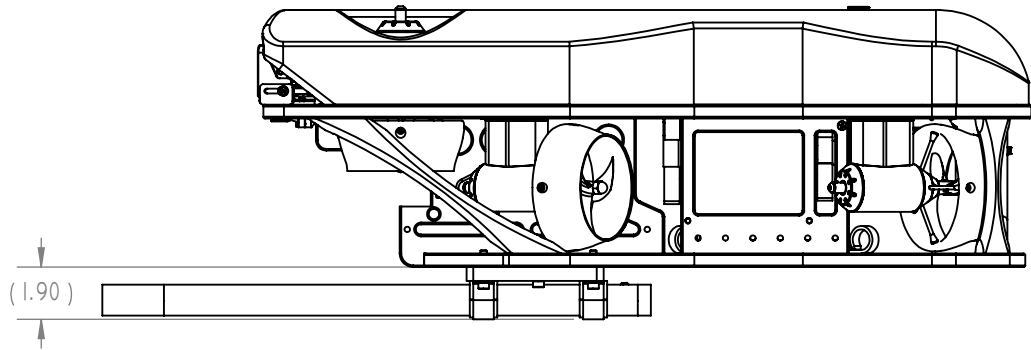
212 EAST HIGH STREET, POTTSTOWN, PA 19464
 USATEL: +1 610-458-3000 FAX: +1 610-458-3010
 WWW.VIDEORAY.COM

TITLE: MSS DEFENDER KIT - CAVIBLASTER LANCE - STRAIGHT	
PART NO: 71871	SCALE:
MATERIAL:	
SHEET TITLE: SHEET1	CAGE CODE: 1WC35 WEIGHT:-
REV: B	STATUS: PRODUCTION
SIZE: A	SHEET: 1 OF 2

THIRD ANGLE

DRN: MW 3/7/2019
 CHK: JV 2/19/2020
 APP: MW 2/19/2020

PLOT DATE: 10/19/2022 2:36:43 PM



6X
SCREW IN ITEMS 3 & 10 INTO
M6 NUTS IN BOTTOM FRAME PLATE

MAKE SURE SCREW IS INSTALLED;
IF NOT ZIP TIE BRANCH OF LANCE
DOWN TO VEHICLE

VideoRay

THIRD ANGLE

DRN: MW	3/7/2019
CHK: JV	2/19/2020
APP: MW	2/19/2020

212 EAST HIGH STREET, POTTSTOWN, PA 19464 USATEL: +1 610-458-3000 FAX: +1 610-458-3010 WWW.VIDEORAY.COM	
TITLE:	MSS DEFENDER KIT - CAVIBLASTER LANCE - STRAIGHT
PART NO:	71871
MATERIAL:	
SHEET TITLE:	SHEET2
REV: B	WEIGHT: -
STATUS: PRODUCTION	SIZE: A
	SHEET: 2 OF 2