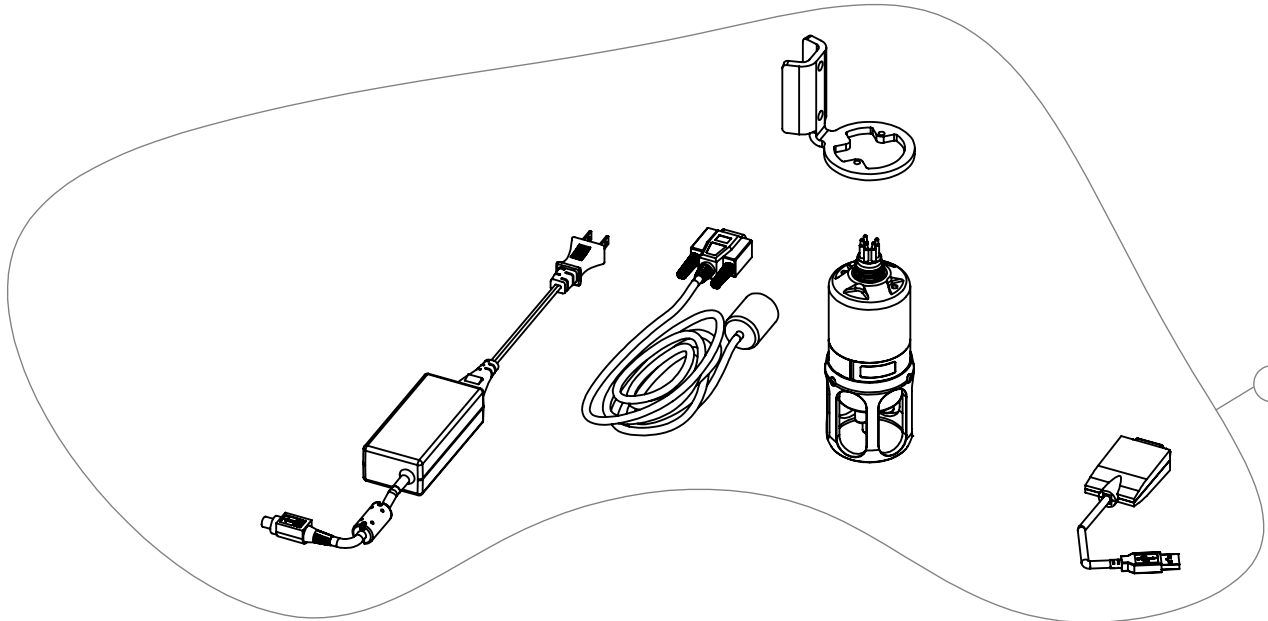
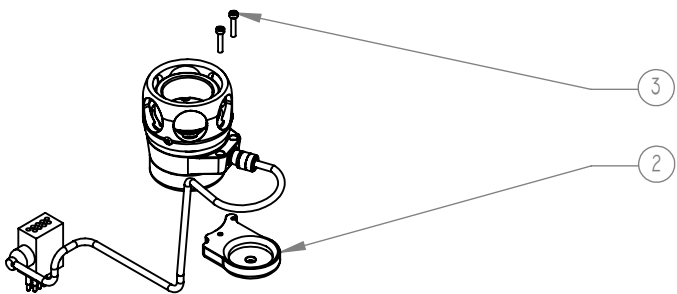


REVISIONS				
ZONE	REV.	DESCRIPTION	DATE	APPROVED
	C	REPLACED BP ITEMS WITH KIT	5/17/2019	MW
	D	EXTERNAL COMPUTER KIT	6/3/2020	JV




*THESE ITEMS ARE TOPSIDE COMPONENTS

*SEE SHEET 2 FOR INSTALLATION INSTRUCTIONS



ITEM NO.	PART NUMBER	DESCRIPTION	QTY.
1	70696	Blueprint Subsea Lightweight USBL system	1
2	71720	Blueprint Subsea Seatrac X010 Modem-Beacon Pro 5 Mount	1
3	71735	SHCS M3 X 16MM 18-8 SS	2

VideoRay 

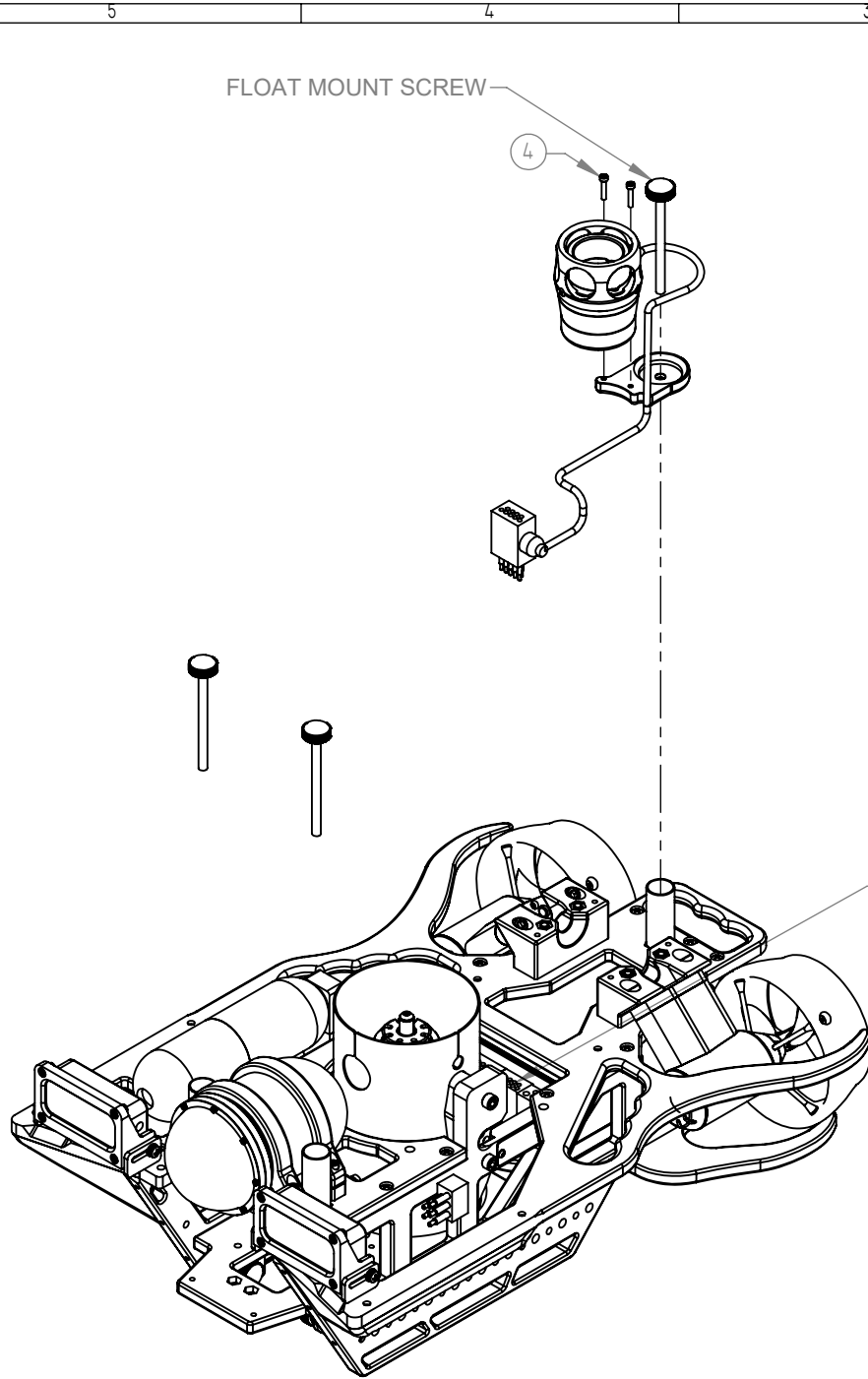
212 EAST HIGH STREET, POTTSTOWN, PA 19464
 USATEL: +1 610-458-3000 FAX: +1 610-458-3010
 WWW.VIDEORAY.COM

TITLE: PRO 5 USBL KIT - BLUEPRINT SUBSEA SEATRAC X010
 PART NO: 71732 SCALE:

DRN: JK	12/10/2018	MATERIAL:	-
CHK: JK	2/5/2019	SHEET TITLE:	SHEET1
APP: MW	2/15/2019	REV: D	STATUS: PRODUCTION
THIRD ANGLE		SIZE: A	WEIGHT: -
		SHEET: 1	OF 2

PLOT DATE: 6/3/2020 10:34:29 AM

PLOT DATE: 6/3/2020 10:34:29 AM

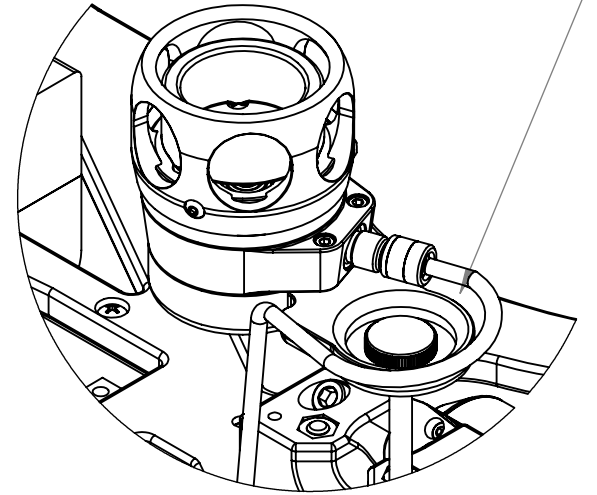


FLOAT MOUNT SCREW

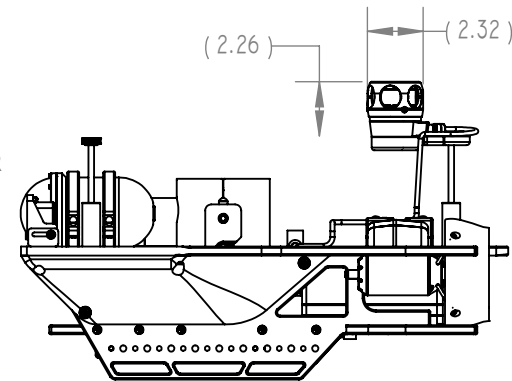
4

PLUG 9 PIN CONNECTOR INTO PORT 6 OF COMBO BOX MODULE

CABLE WHIP TO BE CURVED AROUND FLOAT MOUNT SCREW AND FED DOWN HOLE IN FLOAT AS SHOWN



(2.26) (2.32)



		212 EAST HIGH STREET, POTTSTOWN, PA 19464			
		USATEL: +1 610-458-3000 FAX: +1 610-458-3010			
		WWW.VIDEORAY.COM			
TITLE: Pro 5 USBL Kit – Blueprint Subsea SeaTrac x010		PART NO: 71732		SCALE:	
MATERIAL: -		SHEET TITLE: SHEET2		WEIGHT: -	
REV: D		STATUS: PRODUCTION		SIZE: A	
SHEET: 2 OF 2					

THIRD ANGLE

DRN: JK	12/10/2018
CHK: JK	2/5/2019
APP: MW	2/15/2019

REV: D	STATUS: PRODUCTION	SIZE: A	SHEET: 2 OF 2
--------	--------------------	---------	---------------