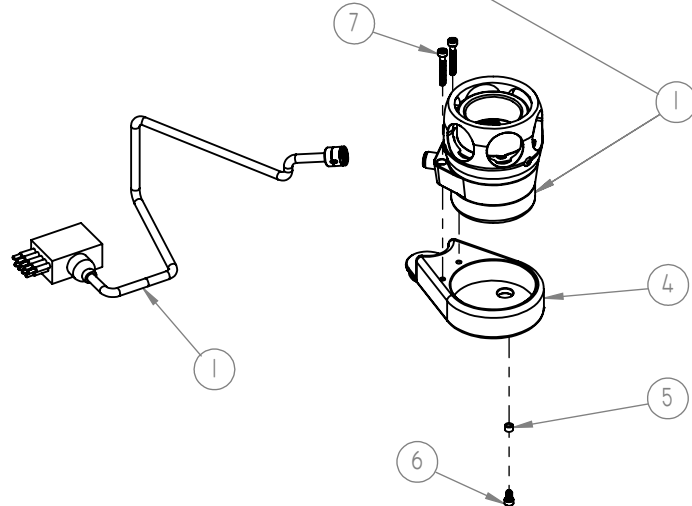
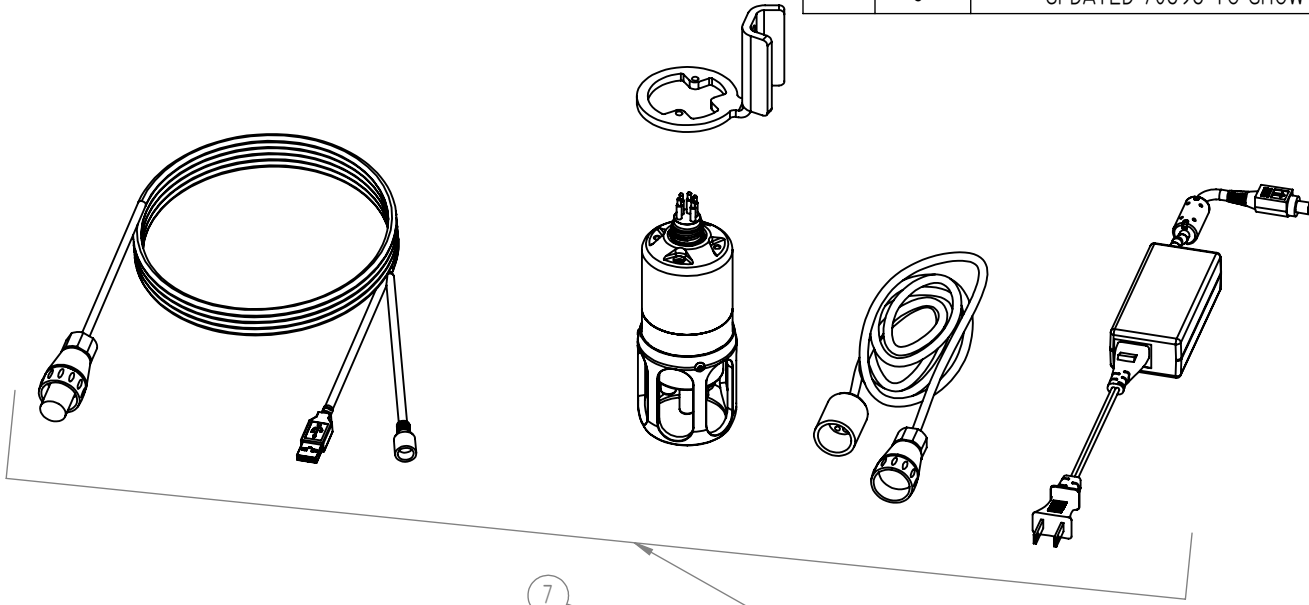


REVISIONS				
ZONE	REV.	DESCRIPTION	DATE	APPROVED
---	E	REPLACED BP ITEMS WITH KIT	5/17/2019	MW
---	F	COMPUTER KIT AND GPS PUCK REMOVED	9/30/2019	JV
---	G	UPDATED 70696 TO SHOW NEW CABLES	10/7/2020	MW



ITEM NO.	PART NUMBER	DESCRIPTION	QTY.
1	70696	Blueprint Subsea Lightweight USBL system	1
2	72256	Envisioned Original Reusable Cinch Straps 2" x 30"	1
3	72255	Envisioned Original Reusable Cinch Straps 3/4" x 8"	2
4	72200	Blue Print Subsea USBL Defender Aft Mount	1
5	72270	Nylon Unthreaded Spacer 3/16" OD 1/8" long Black	1
6	72269	SHCS M3 x 6mm SS black oxide	1
7	71858	SHCS M3 X 22MM 18-8 SS	2

NOTE:  
ITEMS 2 AND 3 NOT SHOWN

**NOTICE OF PROPRIETARY INFORMATION**

THE INFORMATION CONTAINED IN THIS DRAWING IS THE SOLE PROPERTY OF VIDEORAY, LLC. ANY REPRODUCTION IN PART OR AS A WHOLE WITHOUT THE WRITTEN PERMISSION OF VIDEORAY, LLC IS PROHIBITED.

ALL DIMENSIONS ARE IN INCHES  
UNLESS OTHERWISE SPECIFIED  
INTERPRET DRAWING PER  
ASME Y14.5-1994

TOLERANCES UNLESS OTHERWISE SPECIFIED:

X.X	+0.03
X.XX	+0.010
X.XXX	+0.005
FRACTIONS	+1/16
ANGLES	+0.5

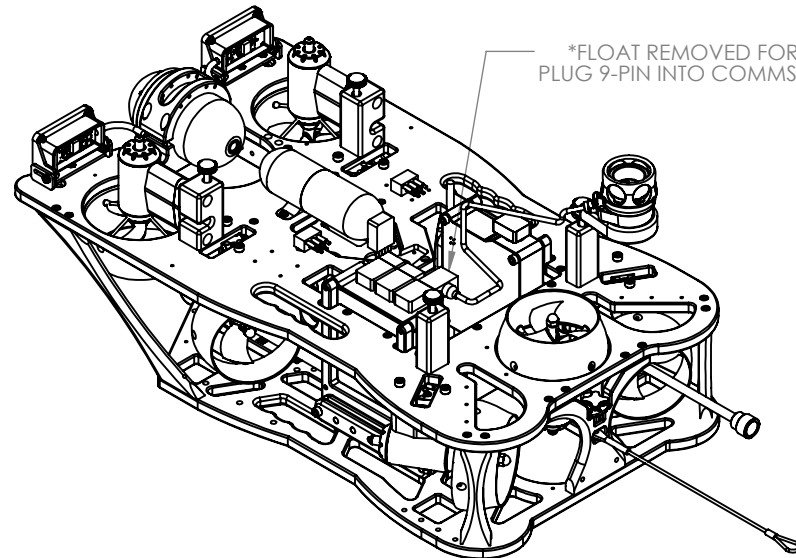
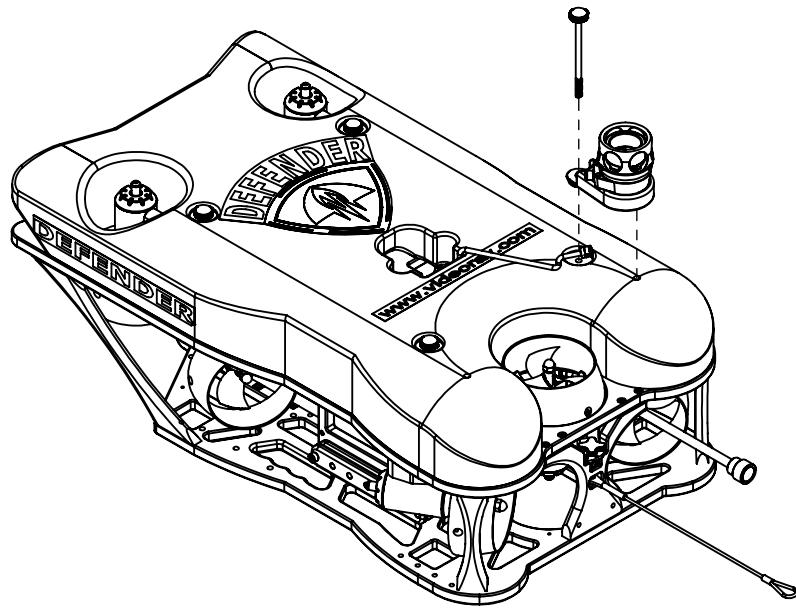



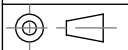
THIRD ANGLE	DRN: MW	2/7/2019
	CHK: CH	2/25/2019
	APP: MW	2/26/2019

212 EAST HIGH STREET, POTTSTOWN, PA 19464	
USATEL: +1 610-458-3000 FAX: +1 610-458-3010	
WWW.VIDEORAY.COM	
TITLE:	MSS DEFENDER KIT BLUEPRINT USBL SYSTEM
PART NO:	71162
MATERIAL:	
SHEET TITLE:	KIT
REV: G	STATUS: PRODUCTION
WEIGHT:	-
SIZE: A	SHEET: 1 OF 2

PLOT DATE: 3/30/2021 4:00:15 PM

PLOT DATE: 3/30/2021 4:00:15 PM



		212 East High Street, Pottstown, PA 19464 USATel: +1 610-458-3000 FAX: +1 610-458-3010 www.videoray.com			
		<b>title:</b> MSS DEFENDER KIT BLUEPRINT USBL SYSTEM		<b>part no:</b> 71162	
		<b>drn:</b> MW 2/7/2019	<b>material:</b> -		
<b>THIRD ANGLE</b>		<b>chk:</b> CH 2/25/2019	<b>sheet title:</b> INSTALLATION		
		<b>app:</b> MW 2/26/2019	<b>rev:</b> G	<b>status:</b> PRODUCTION	<b>size:</b> A <b>sheet:</b> 2 OF 2