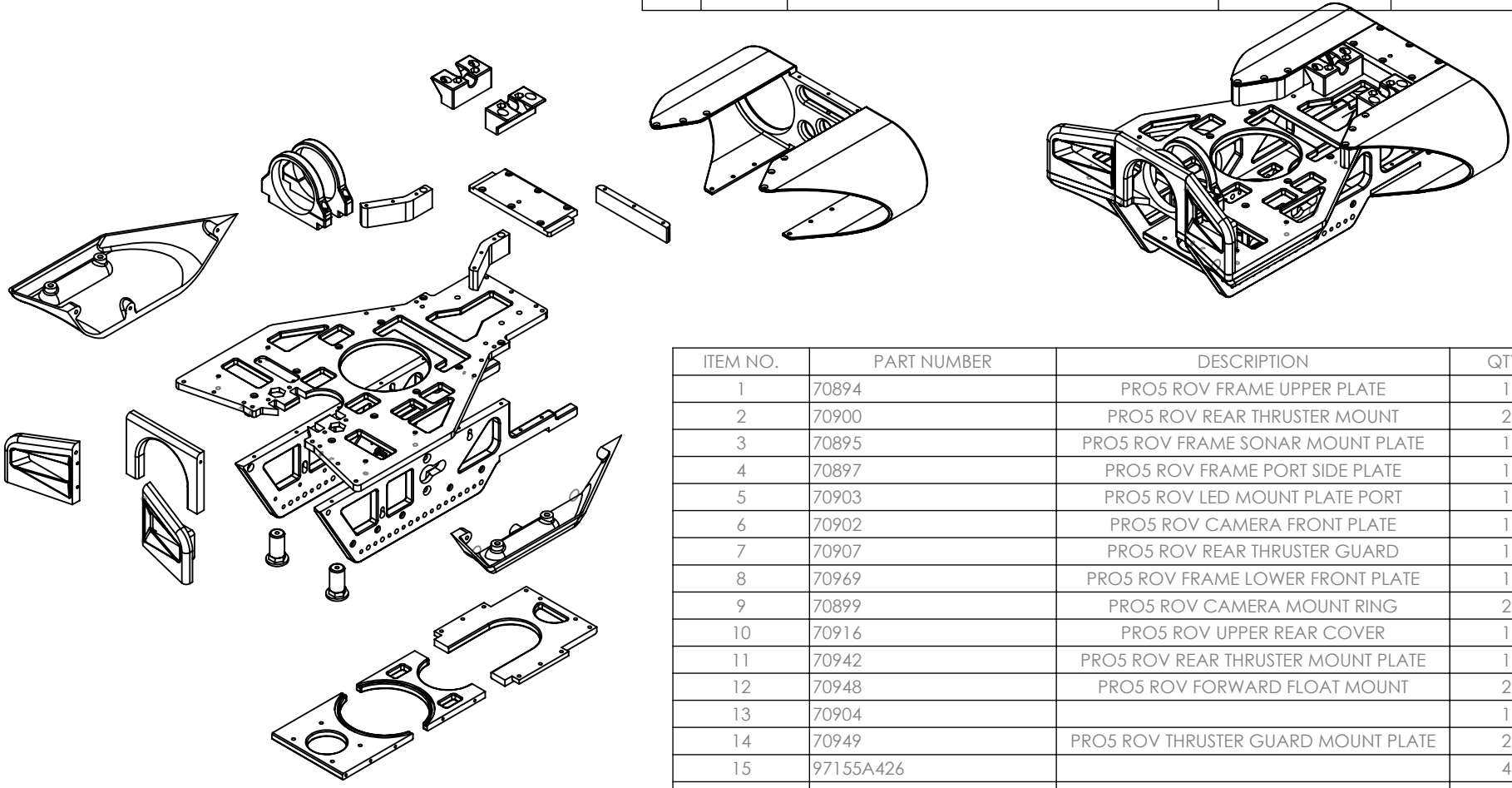


REVISIONS				
ZONE	REV.	DESCRIPTION	DATE	APPROVED
	X-01	INITIAL RELEASE FOR REVIEW	12/15/2017	



ITEM NO.	PART NUMBER	DESCRIPTION	QTY.
1	70894	PRO5 ROV FRAME UPPER PLATE	1
2	70900	PRO5 ROV REAR THRUSTER MOUNT	2
3	70895	PRO5 ROV FRAME SONAR MOUNT PLATE	1
4	70897	PRO5 ROV FRAME PORT SIDE PLATE	1
5	70903	PRO5 ROV LED MOUNT PLATE PORT	1
6	70902	PRO5 ROV CAMERA FRONT PLATE	1
7	70907	PRO5 ROV REAR THRUSTER GUARD	1
8	70969	PRO5 ROV FRAME LOWER FRONT PLATE	1
9	70899	PRO5 ROV CAMERA MOUNT RING	2
10	70916	PRO5 ROV UPPER REAR COVER	1
11	70942	PRO5 ROV REAR THRUSTER MOUNT PLATE	1
12	70948	PRO5 ROV FORWARD FLOAT MOUNT	2
13	70904		1
14	70949	PRO5 ROV THRUSTER GUARD MOUNT PLATE	2
15	97155A426		4
16	70896	PRO5 ROV FRAME LOWER REAR PLATE	1
17	70906	PRO5 ROV LOWER FORWARD COVER STBD	1
18	70905	PRO5 ROV LOWER FORWARD COVER PORT	1
19	92855A513		2
20	70878	SHCS M6 X 12MM RENY BLACK	6
21	70898	PRO5 ROV FRAME STBD SIDE PLATE	1

ALL DIMENSIONS ARE IN INCHES
UNLESS OTHERWISE SPECIFIED
INTERPRET DRAWING PER
ASME Y14.5-1994

TOLERANCES UNLESS
OTHERWISE SPECIFIED:

X.X	±0.03
X.XX	±0.010
X.XXX	±0.005
FRACTIONS	±1/16
ANGLES	±0.5



THIRD ANGLE	DRN: TH	12/15/2017
	CHK: -	
	APP: -	

212 EAST HIGH STREET, POTTSTOWN, PA 19464
USATEL: +1 610-458-3000 FAX: +1 610-458-3010
WWW.VIDEORAY.COM

TITLE: PRO5 ROV BASE VEHICLE FRAME ASSEMBLY		SCALE: 1:24
PART NO: 70893		
MATERIAL: -		
SHEET TITLE: DRAWING	WEIGHT: -	
REV: X-01	STATUS: DEVELOPMENT	SIZE: A SHEET: 1 OF 1

REMOVE ALL BURRS AND
SHARP EDGES 0.005R OR
CHAMFER MAX

NOTICE OF PROPRIETARY INFORMATION
THE INFORMATION CONTAINED IN THIS DRAWING IS THE
SOLE PROPERTY OF VIDEORAY, LLC. ANY
REPRODUCTION IN PART OR AS A WHOLE WITHOUT THE
WRITTEN PERMISSION OF VIDEORAY, LLC IS
PROHIBITED.

PLOT DATE: 12/15/2017 4:30:27 PM