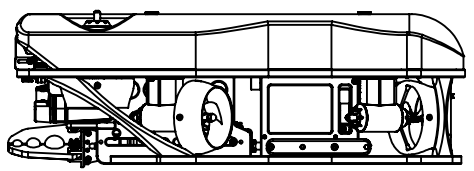
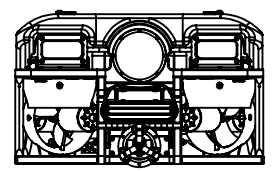
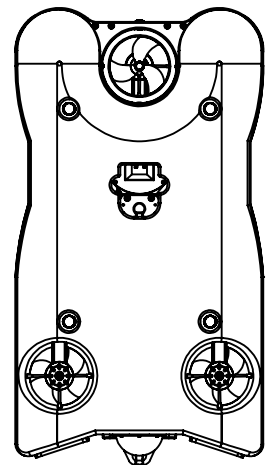
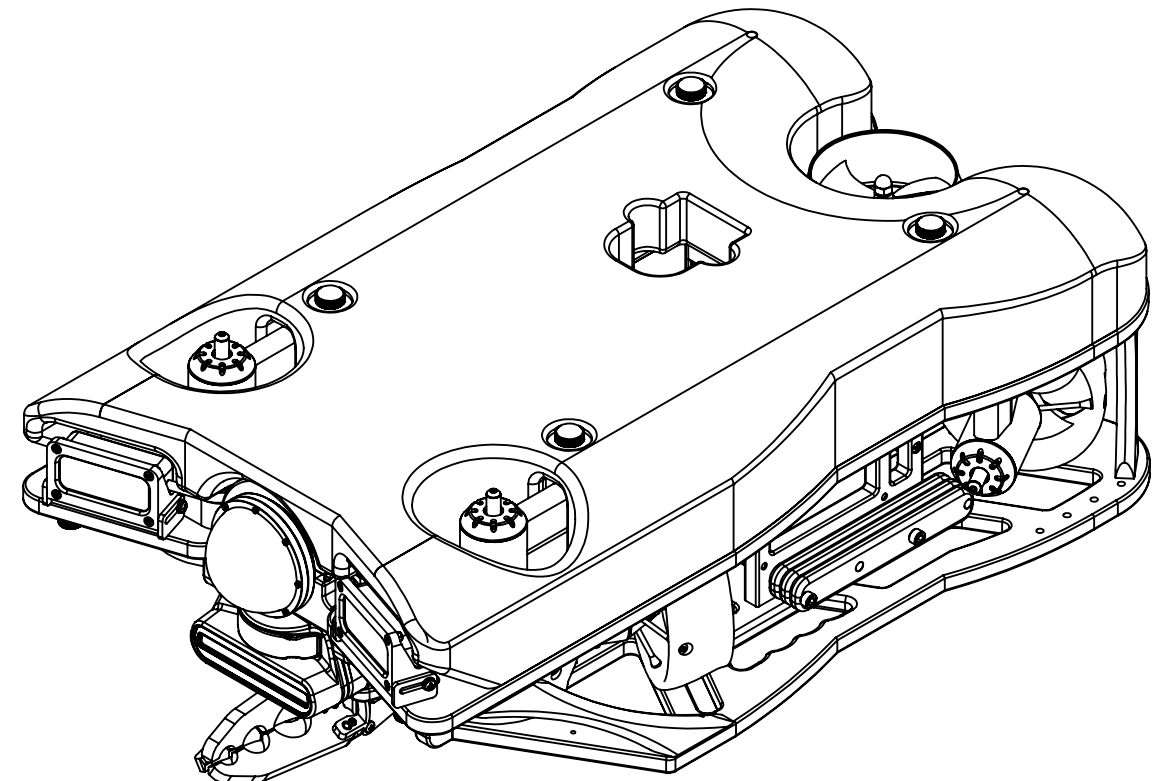


NOT FOR MANUFACTURE



ITEM NO.	PART NUMBER	DESCRIPTION	QTY.
1	70745	MSS DEFENDER MAIN FRAME ASSEMBLY	1
2	70044	MSS HD Camera Module - 2000m rated	1
3	70160	m5 420v Power Module	1
4	70191	M5 Communication Module	1
5	70682	1 Atm IMU Housing Subassembly	1
6	DVL1000	Nortek DVL1000	1
7	70779	MSS Defender Float	1
8	70776	LED LIGHT MOUNT ASSEMBLY	1
9	70776	LED LIGHT MOUNT ASSEMBLY	1
10	70778	OCULUS MOUNT PLATE	1
11	70681	Oculus M750d Dual frequency Multibeam Sonar	1
12	70704	M5 THRUATER ASSEMBLY WITH GUARD	7
13	70824	MSS DEFENDER COMBO ARM MOUNT ASSEMBLY	1
14	70869	M6 SOCKET HEAD SCREW KNOB BLACK	4
15	70877	M6 NYLOCK HEX NUT 18-8 SS	4
16	70879	SHCS M5 x 12MM 18-8 SS	4
17	70878	SHCS M6 X 12MM RENY BLACK	14
18	99461A370	PLASTITE #8 X 3/4" 18-8 SS	4
19	70880	PHMS-P M4 X 6MM 18-8 SS	4
20	70881	PLASTITE #8 X 3/4" 18-8 SS	2
21	70882	WASHER, SLEEVE #6 .142 ID X .313 OD FIBER BLACK	2
22	70884	SHCS M6 X 55MM RENY BLACK	4
23	70885	SHCS M6 X 45MM RENY BLACK	4
24	70453	MSS Ballast Weight - 250g	6
25	70886	SHCS M6 X 35 MM 18-8 SS	4
26	70876	SHCS M6 X 100 MM 18-8 SS	4

NOTES:

ALL DIMENTIONS ARE IN INCHES
UNLESS OTHERWISE SPECIFIED
DIMENSIONS IN [] ARE IN MM
INTERPRET DRAWING PER
ASME Y14.5-1994

MACHINE TOLERANCES
DECIMALS: .x ±.020
.xx ±.010
.xxx ±.005
ANGLES: ±0° 30'
CONCENTRICITY: .002
BREAK CORNERS: .015 - .030
FILLET RADIUS: .030 - .060
SURFACE FINISH: 63 RMS

Notice of Proprietary Information
The information contained in this drawing is the sole property of VideoRay, LLC. Any reproduction in part or as a whole without the written permission of VideoRay, LLC is prohibited.

VideoRay
212 East High Street, Pottstown, PA 19464
USATel: +1 610-458-3000 FAX: +1 610-458-3010
www.videoray.com

REMOVE ALL BURRS AND SHARP EDGES 0.005R OR CHAMFER MAX

3RD ANGLE PROJECTION



DRN:	SCALE:
CHK:	WEIGHT:
APR:	STATUS:

6

5

4

3

2

1

D

D

C

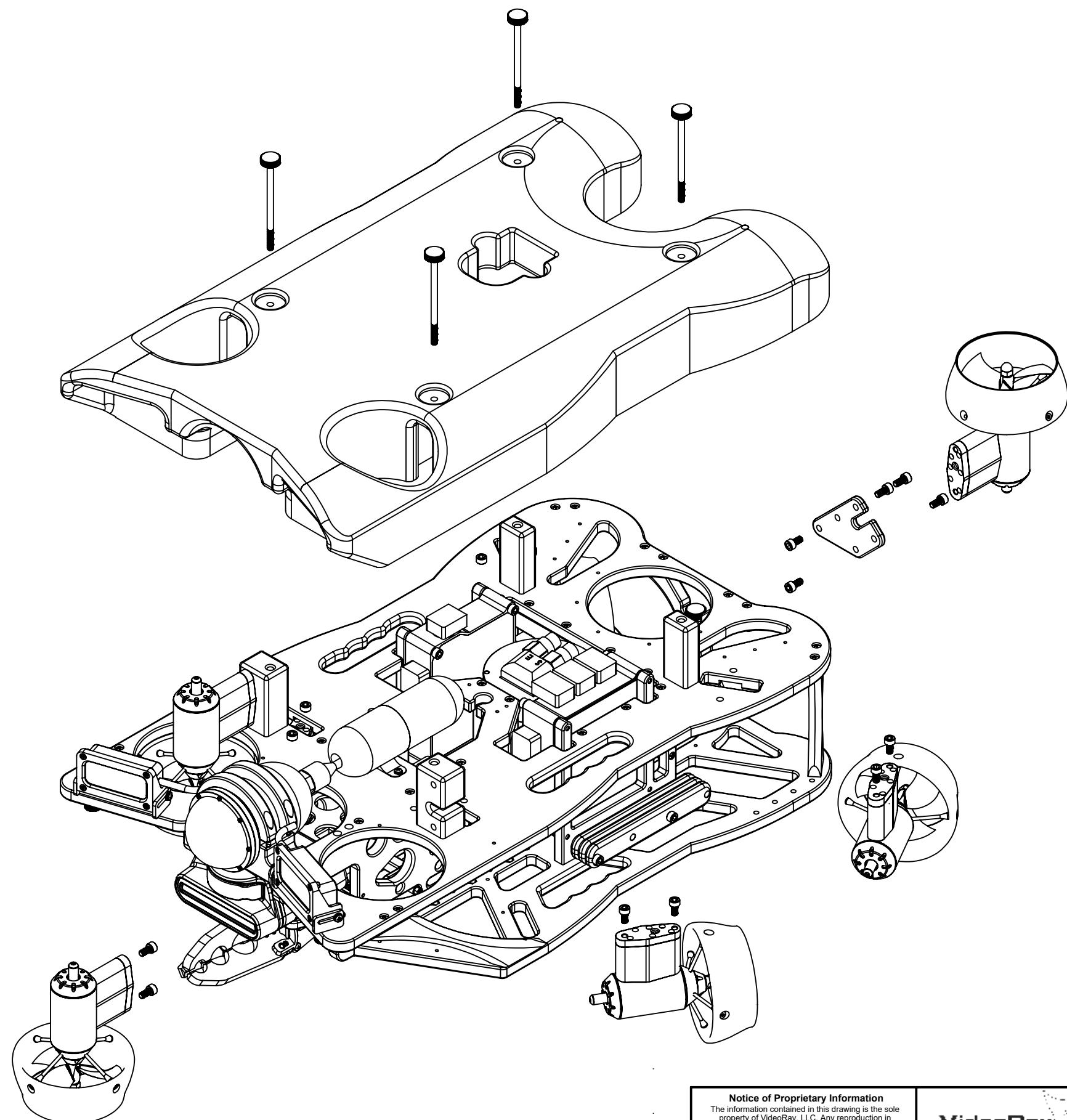
C

B

B

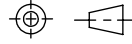
A

A



NOTES:

Notice of Proprietary Information
 The information contained in this drawing is the sole property of VideoRay, LLC. Any reproduction in part or as a whole without the written permission of VideoRay, LLC is prohibited.


 3RD ANGLE PROJECTION



TITLE:			
PART NO:			
MATERIAL:			
COATING:			
DRN:		SHEET TITLE:	SCALE:
CHK:		REV:	WEIGHT:
APR:		STATUS:	SIZE: SHEET 2 OF 5

6

5

4

3

2

1

6

5

4



3

2

1

D

D

C

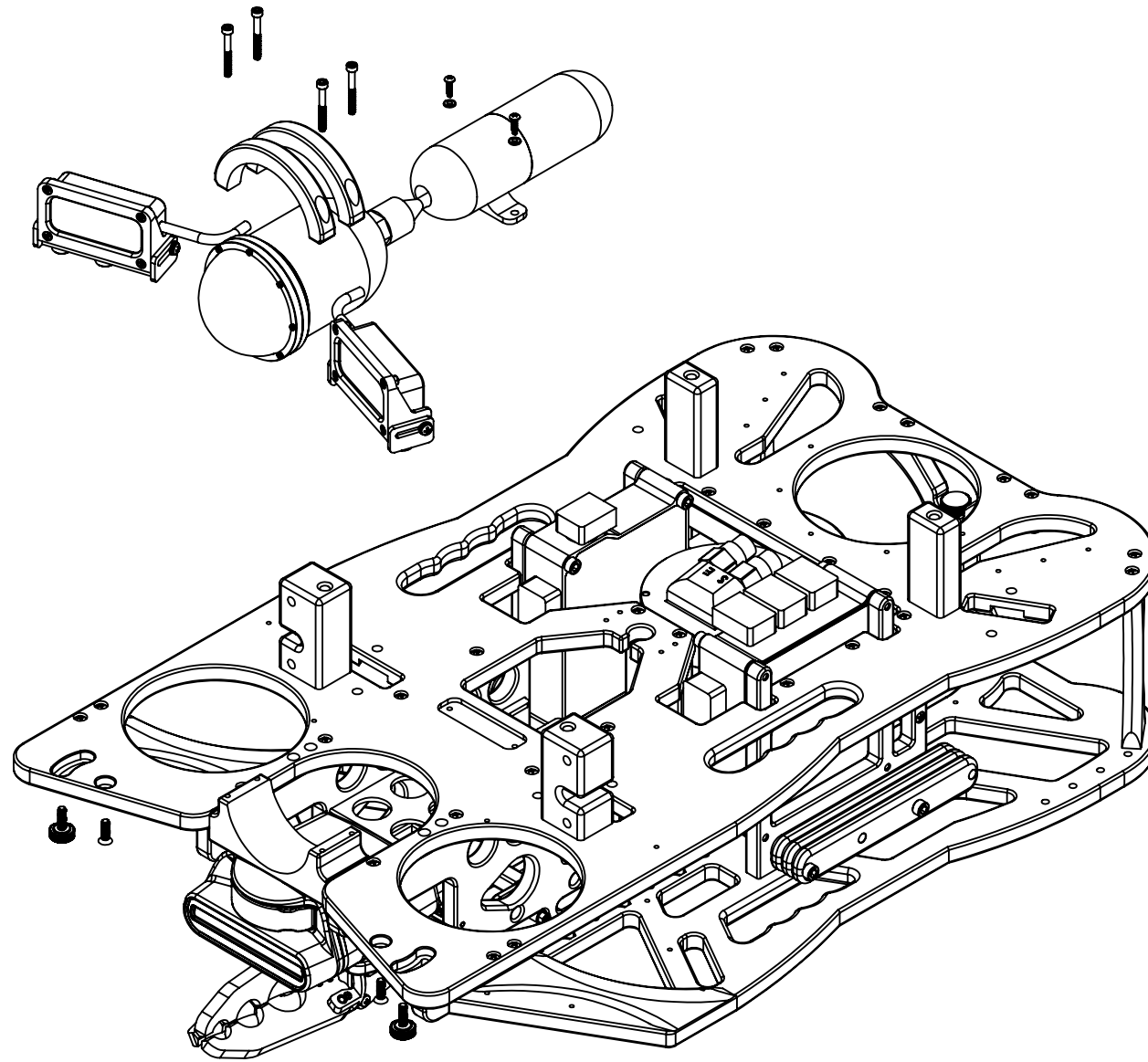
C

B

B

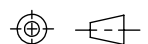
A

A



NOTES:

Notice of Proprietary Information
 The information contained in this drawing is the sole property of VideoRay, LLC. Any reproduction in part or as a whole without the written permission of VideoRay, LLC is prohibited.



3RD ANGLE PROJECTION



TITLE:			
PART NO:			
MATERIAL:			
COATING:			
DRN:		SHEET TITLE:	SCALE:
CHK:		REV:	WEIGHT:
APR:		STATUS:	SIZE: SHEET 3 OF 5

6

5

4



3

2

1

6

5

4



3

2

1

D

D

C

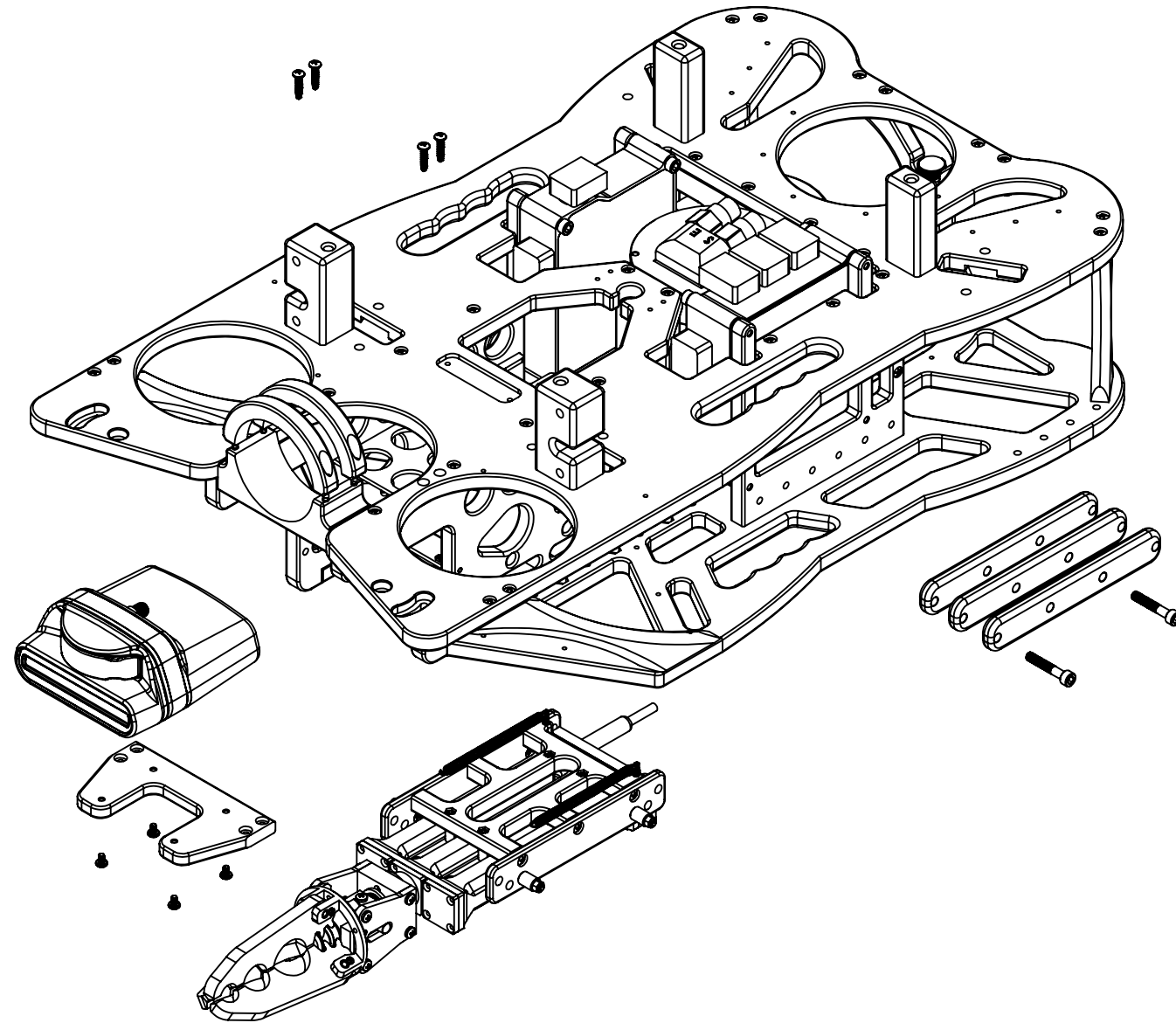
C

B

B

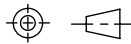
A

A



NOTES:

Notice of Proprietary Information
 The information contained in this drawing is the sole property of VideoRay, LLC. Any reproduction in part or as a whole without the written permission of VideoRay, LLC is prohibited.



3RD ANGLE PROJECTION



TITLE:			
PART NO:			
MATERIAL:			
COATING:			
DRN:		SHEET TITLE:	SCALE:
CHK:		REV:	WEIGHT:
APR:		STATUS:	SIZE: SHEET 4 OF 5

6

5

4



3

2

1

6

5

4

3

2

1

D

D

C

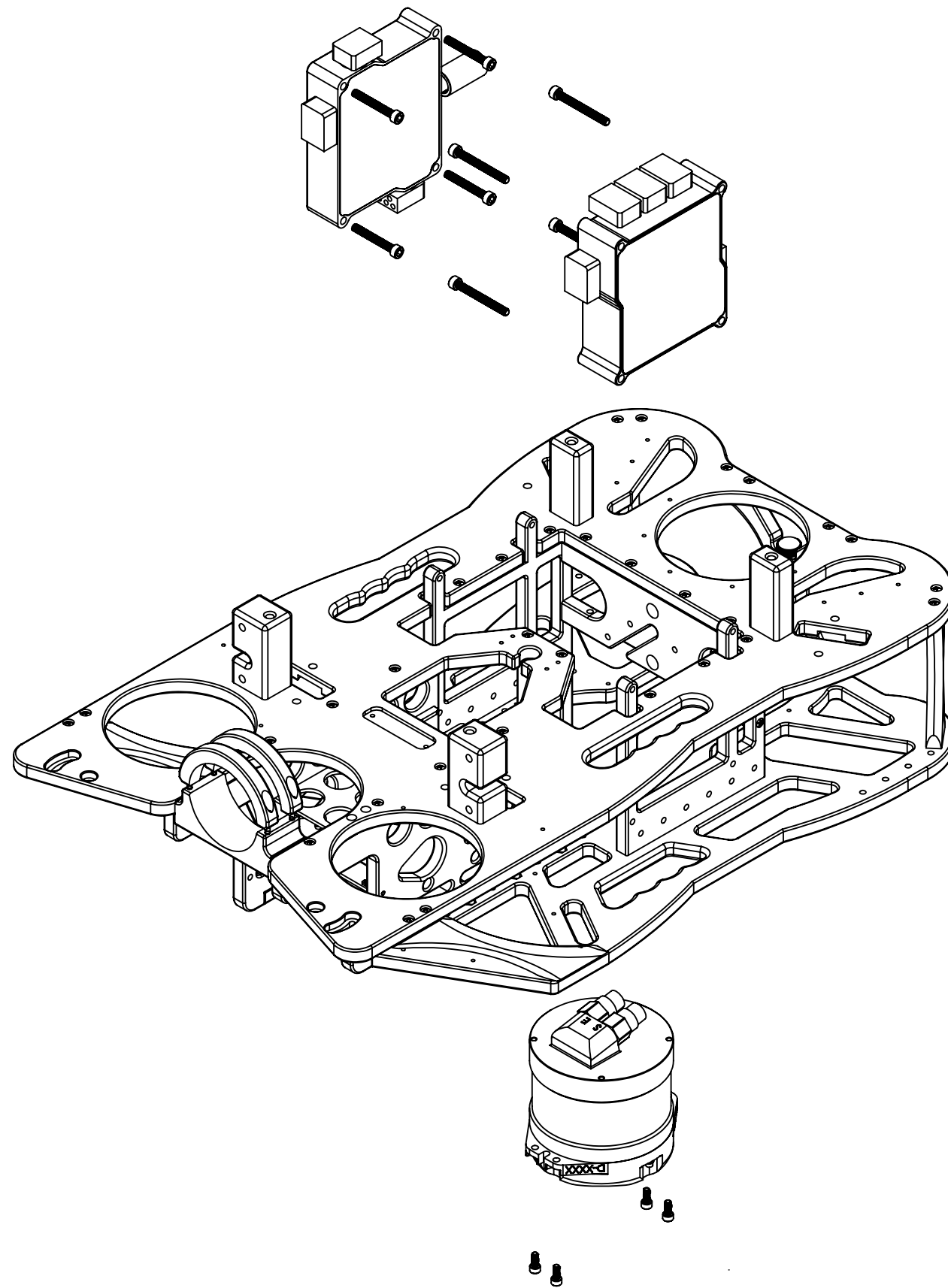
C

B

B

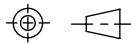
A

A



NOTES:

Notice of Proprietary Information
 The information contained in this drawing is the sole property of VideoRay, LLC. Any reproduction in part or as a whole without the written permission of VideoRay, LLC is prohibited.


 3RD ANGLE PROJECTION



TITLE:			
PART NO:			
MATERIAL:			
COATING:			
DRN:		SHEET TITLE:	SCALE:
CHK:		REV:	WEIGHT:
APR:		STATUS:	SIZE: SHEET 5 OF 5

6

5

4

3

2

1