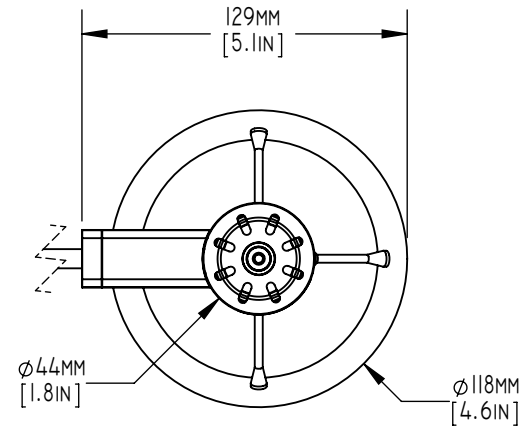
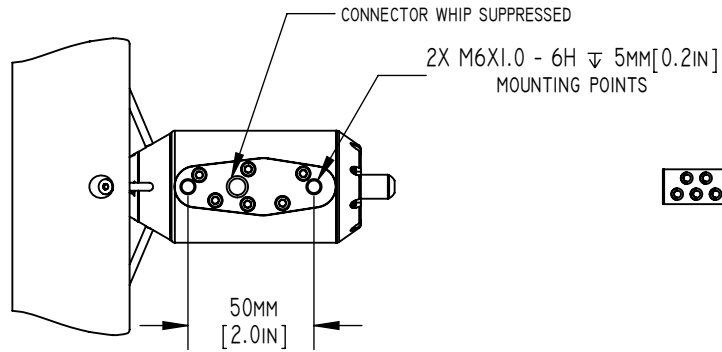
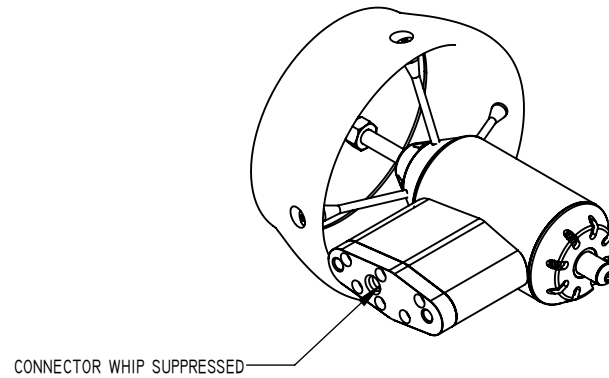
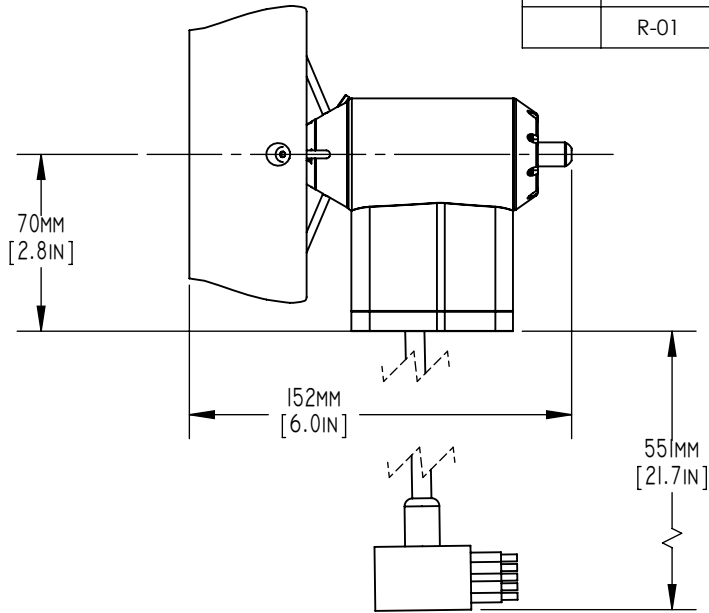


REVISIONS				
ZONE	REV.	DESCRIPTION	DATE	APPROVED
	X-01	Update	9/9/2016	
	X-02	add assembly model updates, dimensions, notes	8/23/2017	JK
	R-01	CHECKED	8/23/2017	



VideoRay



THE INFORMATION CONTAINED IN THIS DRAWING IS SUPPLIED BY VIDEORAY, LLC FOR REFERENCE PURPOSES ONLY. EVERY EFFORT HAS BEEN MADE TO ENSURE THE ACCURACY OF THE INFORMATION SUPPLIED HEREIN. VIDEORAY CAN NOT BE HELD RESPONSIBLE FOR YOUR USE OF THIS INFORMATION. INFORMATION CONTAINED IN THIS DRAWING IS SUBJECT TO CHANGE WITHOUT NOTICE. FOR UPDATED OR ADDITIONAL INFORMATION, PLEASE CONTACT VIDEORAY, LLC DIRECTLY. ANY REPRODUCTION OF THIS DRAWING IN PART OR AS A WHOLE WITHOUT THE WRITTEN PERMISSION OF VIDEORAY, LLC IS PROHIBITED.

PROPRIETARY AND BUSINESS CONFIDENTIAL, ALL RIGHTS RESERVED, COPYRIGHT 2001-2015, VIDEORAY, LLC

UNITS:
MM
(INCHES)



VIDEORAY, LLC
212 EAST HIGH STREET, POTTSTOWN, PA 19464
USATEL: +1 610-458-3000 FAX: +1 610-458-3010
WWW.VIDEORAY.COM

M5 THRUSTER ASSEMBLY WITH THRUSTER
GUARD NOZZLE NO PROP V2

DRAWING STATUS: RTM

70503

DRN: JK

9/9/2016

APPROX. DRY WEIGHT: -

CHK: TH

8/23/17

APPROX. WET WEIGHT: -

SIZE: A

APP: -

REV: R-01

SCALE: 1:3

SHEET: 1 OF 1

PUBLISHED: 8/23/2017