

**DEEPSEA**  
Power & Light<sup>®</sup>



# SeaLite<sup>®</sup> Sphere

3100, 5100, 5500, 6100



Patents Pending

## FEATURES

**Easy Direct Replacement of a Halogen Light**

**6000 m (Standard) and 11000 m (Optional) Depth Rated**

**Field-Serviceable Connector**

**Wider Range of Smooth Flicker-Free Dimming**

**Improved Mounting Bracket with Titanium Inserts  
Available in both Metric & Imperial Threads**

**Operates In or Out of Water**

T: (858) 576-1261  
F: (858) 576-0219

4033 Ruffin Road  
San Diego, CA  
92123- 1817 USA

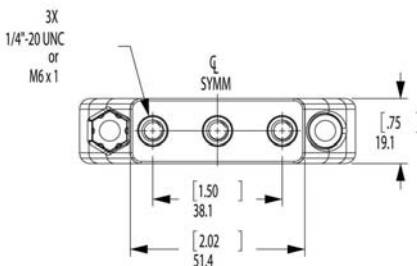
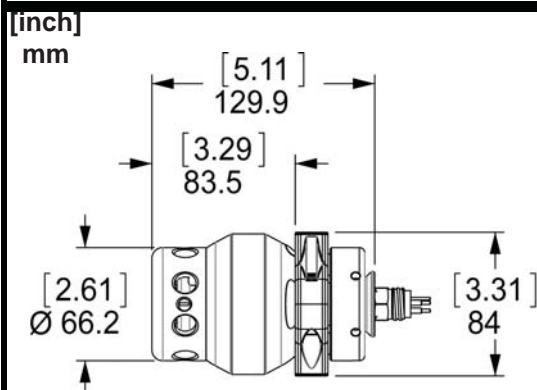
www.deepsea.com  
sales@deepsea.com



De Hoogjens 22  
4254 XW Sleeuwijk  
The Netherlands  
T. +31-183-307900 F. +31-183-307910  
E. info@seascape.nl www.seascape.nl



# SeaLite® Sphere 3100, 5100, 5500, 6100



**MCBH3MP  
(High Voltage AC/DC)**  
1 = Hot (DC +)  
2 = Neutral (DC -)  
3 = Chassis

**MCBH5MP  
(Low Voltage DC)**  
1 = Positive  
2 = Negative  
3 = Chassis  
4 = Not Used  
5 = 0-5 V DC Control  
(0-5V DC Control ground to Pin 2)

*\*Other connector options are available upon request.*

|  | SLS-3100 | SLS-5100 | SLS-6100 | SLS-5500 |
|--|----------|----------|----------|----------|
|--|----------|----------|----------|----------|

## Electrical Specifications

|                |   |                                   |  |  |
|----------------|---|-----------------------------------|--|--|
| <b>Input*</b>  | 10-36V DC<br>1.7A @ 24V DC<br>41 W                          | 20-36V DC<br>3.3A @ 24V DC<br>80W | 110-140VAC<br>120-150VDC<br>1.6A @ 120VAC typical<br>1.1A @ 135VDC typical | 215 - 275V AC<br>275 - 375V DC<br>0.62A @ 220V AC Nominal<br>(275V AC Max), 130W Max<br>0.32A @ 280V DC Nominal<br>(375V DC Max), 130W Max |
| <b>Dimming</b> | 0-5V Control Loop (Standard)<br>Variable Voltage (Optional) |                                   | AC Phase Control Dimmer & Variable Voltage (Variat)                        |  |

## Optical Specifications

|                                       |   |                     |                     |                     |
|---------------------------------------|---|---------------------|---------------------|---------------------|
| <b>Lumens in Water (Flood Lights)</b> | 3000 Lumens typical   | 5000 Lumens typical | 6000 Lumens typical | 5000 Lumens typical |
| <b>True Lumens/Watt</b>               | 73 lm/w   | 62.5 lm/w           | 40 lm/w             | 35 lm/w             |
| <b>True Lumens/Weight in Water</b>    | 13.2 lm/g   | 22.0 lm/g           | 19.1 lm/g           | 15.9 lm/g           |
| <b>Color</b>                          | White 6K mix (Available in other color options)             |                     |                     |                     |
| <b>Color Temp</b>                     | Standard: 6000K (White 6K)<br>Optional: 9000K (White LED's) |                     |                     |                     |
| <b>Beam Pattern in Water (FWHP)</b>   | Flood: 75°/Medium: 38°                                      |                     |                     |                     |
| <b>Color Rendering Index (CRI)</b>    | 77 (Standard White LED's)                                   |                     |                     |                     |

## Mechanical Specifications

|                         |  |     |  |     |
|-------------------------|--|-----|--|-----|
| <b>Body Material</b>    | Hard Anodized 6013-T8 Aluminum (Standard)<br>Beryllium Copper (Optional)             |     |  |     |
| <b>Window Material</b>  | Sapphire   |     |  |     |
| <b>Mounts</b>           | High Strength Mounting Collar with Titanium inserts<br>(1/4"-20 or 6mm Thread Sizes) |     |  |     |
| <b>Weight in Air</b>    | 675 g (1.49 lbs) for standard AI housing   |     | 796g (1.75 lbs.) for standard AI housing |     |
| <b>Weight in Water</b>  | 227g (0.50 lbs) for standard AI housing  |     | 314g (0.69 lbs.) for standard AI housing |     |
| <b>Impodable Volume</b> | TBD  | TBD | TBD                                      | TBD |

## Environmental Specifications

|                        |   |  |  |  |
|------------------------|---|--|--|--|
| <b>Depth Rating</b>    | Standard: 6,000m (20,000ft)<br>Optional: 11,000m (36,090ft) |  |  |  |
| <b>Pressure Rating</b> | 10,000 psi  |  |  |  |
| <b>Crush Depth</b>     | 8,964m (29,578 ft)  |  |  |  |
| <b>Operation Temp</b>  | -10°C - 40°C (14°F - 104° F)                                |  |  |  |

\*DeepSea Power and Light offers a Universal SeaLite Sphere option with an input range of 90-250 VAC (50/60Hz) and 80-350 VDC. Please contact DeepSea for additional details.