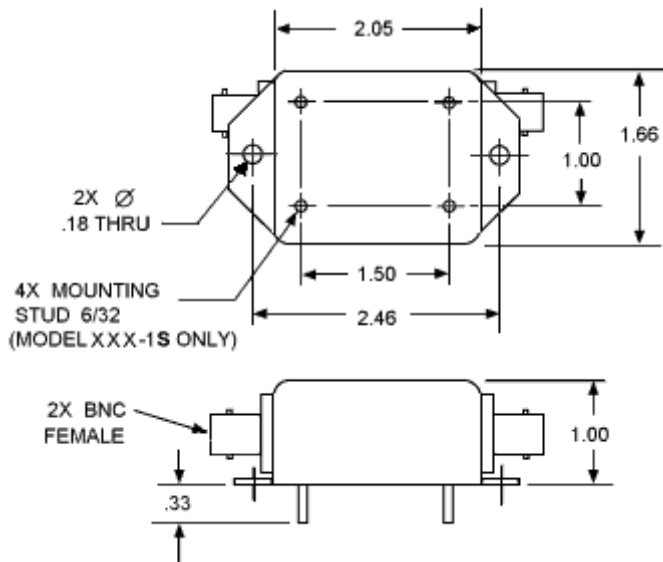


[Home](#) | [Catalog](#) | [Analysis](#) | [Contact Info](#)

[160](#) | [162](#) | [262](#) | [362](#) | [162-HI](#) | [162-LO](#) | [164](#) | [264](#) | [364](#)

DEERFIELD LABORATORY, INC. 262-1 VIDEO ISOLATION TRANSFORMER SPECIFICATIONS

CHARACTERISTIC IMPEDANCE:	75 OHM
MIDBAND INSERTION LOSS:	0.9 dB
3dB BANDWIDTH:	6Hz - 9MHz
MAX VOLTAGE OF 20 Hz SIGNAL FOR 5% DISTORTION:	1.3 Vrms
MAX NOISE VOLTAGE AT 60 Hz:	1000 Vp-p
ISOLATION:	CONNECTORS ISO FROM CASE, INPUT ISO FROM OUTPUT
STANDARD CONFIGURATION:	2 BNC FEMALE, NICKEL-PLATED STEEL CASE, 2 MOUNTING FLANGES
MECHANICAL OPTIONS AVAILABLE:	ALT CONNECTORS (SOLDER PINS), ALT CONNECTOR LOCATION, MOUNTING STUDS



Deerfield Laboratory, Inc. (ph)650-632-4090

[Home](#) | [Catalog](#) | [Analysis](#) | [Contact](#)