



Lodestar Surface AHRS

QUICK START GUIDE

INSTRUCTIONS:

Install Lodestar configuration software on PC, then follow the numbered steps (in the coloured circles) to connect to and then configure the Lodestar for AHRS use. See the **Key** for explanation of which steps are required or optional.

Refer to the following manuals on the supplied documentation CD for further instructions:

- Lodestar Hardware
- Lodestar AHRS Operation
- Lodestar AHRS Messages

Key

- Required step for **ALL** operation
- Required step for **SERIAL** operation
- Required step for **ETHERNET** operation
- Optional step for **GPS** compensation

START

1

Connect the power cable (P/N 8084-054).

5

Connect an ETHERNET cable to the Ethernet port. This port will provide input and output

6

Power Lodestar, wait 1 minute....

7

Start configuration software on the PC

8

Press **Connect** button to set-up connection and connect to Lodestar

9

Enter **Default Latitude** on **Gyro-Compass** tab, press **Apply**

10

Configure output on **C1** port tab, press **Apply**

11

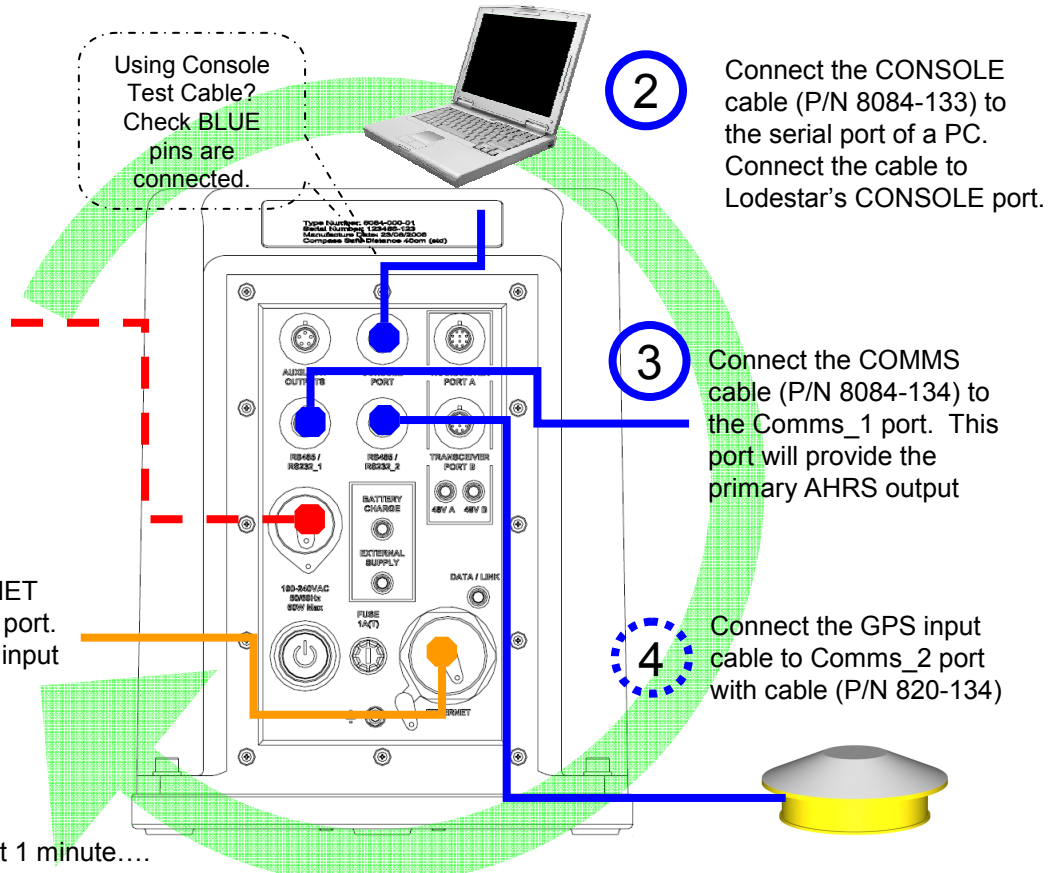
Configure output on **Ethernet** port tab, press **Apply**

12

Configure **GPS Compensation** on **Gyro-Compass** tab, press **Apply**

13

Having made changes press **Full Reset**.



10

11

9

12

8

9

10

11

12

13