

**DEEPPSEA**  
Power & Light<sup>®</sup>



# SeaLite<sup>®</sup> Sphere

**3150, 5150, 6150**



Patents Pending

## FEATURES

**Up to 11000 Lumens with 85 Degree Flood Beam**

**6000 m (Standard) and 11000 m (Optional) Depth Rated**

**Field-Serviceable Connector Volume**

**Capable of Operating in Water or Air**

**Intelligent Flicker-Free Dimming**

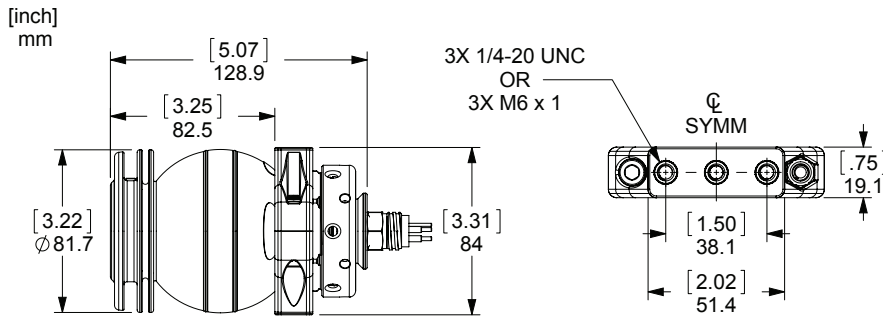
T: (858) 576-1261  
F: (858) 576-0219

4033 Ruffin Road  
San Diego, CA  
92123- 1817 USA

[www.deepsea.com](http://www.deepsea.com)  
[sales@deepsea.com](mailto:sales@deepsea.com)



# SeaLite<sup>®</sup> Sphere 3150, 5150, 6150



**MCBH3MP  
(High Voltage AC/DC)**  
 1 = Hot (DC +)  
 2 = Neutral (DC -)  
 3 = Chassis



**MCBH5MP  
(Low Voltage DC)**  
 1 = DC+  
 2 = DC-  
 3 = Chassis  
 4 = Not Used  
 5 = 0-5 V DC Control  
 (0-5V DC Control referenced to Pin 2)

*\*Other connector options are available upon request.*

## SLS-3150

## SLS-5150

## SLS-6150

### Electrical Specifications

<b>Input</b>	10-36V DC 1.7A @ 24V DC 41 W	20-36V DC 3.3A @ 24V DC 80W	110-140VAC 120-150VDC 1.6A @ 120VAC typical 1.1A @ 135VDC typical
<b>Dimming</b>	0-5V Control Loop (Standard) Variable Voltage (Optional)		AC Phase Control Dimmer & Variable Voltage (Variac)

### Optical Specifications

<b>Lumens in Water (Flood Lights)</b>	5000 Lumens typical	9000 Lumens typical	11000 Lumens typical
<b>True Lumens/Watt</b>	122 lm/w	112 lm/w	73 lm/w
<b>True Lumens/Weight in Water</b>	20 lm/g	36 lm/g	33 lm/g
<b>Color</b>	White		
<b>Color Temp</b>	Standard: 5700K (White 5.7K) Other options available		
<b>Beam Pattern in Water (FWHP)</b>	Flood: 85°		
<b>Color Rendering Index (CRI)</b>	68 (Standard White LED's)		

### Mechanical Specifications

<b>Body Material</b>	Hard Anodized 6013-T8 Aluminum (Standard) Titanium 6Al4V (Optional)		
<b>Window Material</b>	Sapphire		
<b>Mounts</b>	High Strength Mounting Collar with Titanium inserts (1/4"-20 or 6mm Thread Sizes)		
<b>Weight in Air</b>	714 g [1.57 lbs] for standard Al housing	835g [1.84 lbs] for standard Al housing	
<b>Weight in Water</b>	248g [0.55 lbs] for standard Al housing	335g [0.74 lbs] for standard Al housing	
<b>Impodable Volume</b>	TBD		

### Environmental Specifications

<b>Depth Rating</b>	Standard: 6,000m [20,000ft] Optional: 11,000m [36,090ft]		
<b>Pressure Rating</b>	10,000 psi		
<b>Crush Depth</b>	8,964m [29,578 ft] (Aluminum)		
<b>Operation Temp</b>	-10°C - 40°C [14°F - 104° F]		