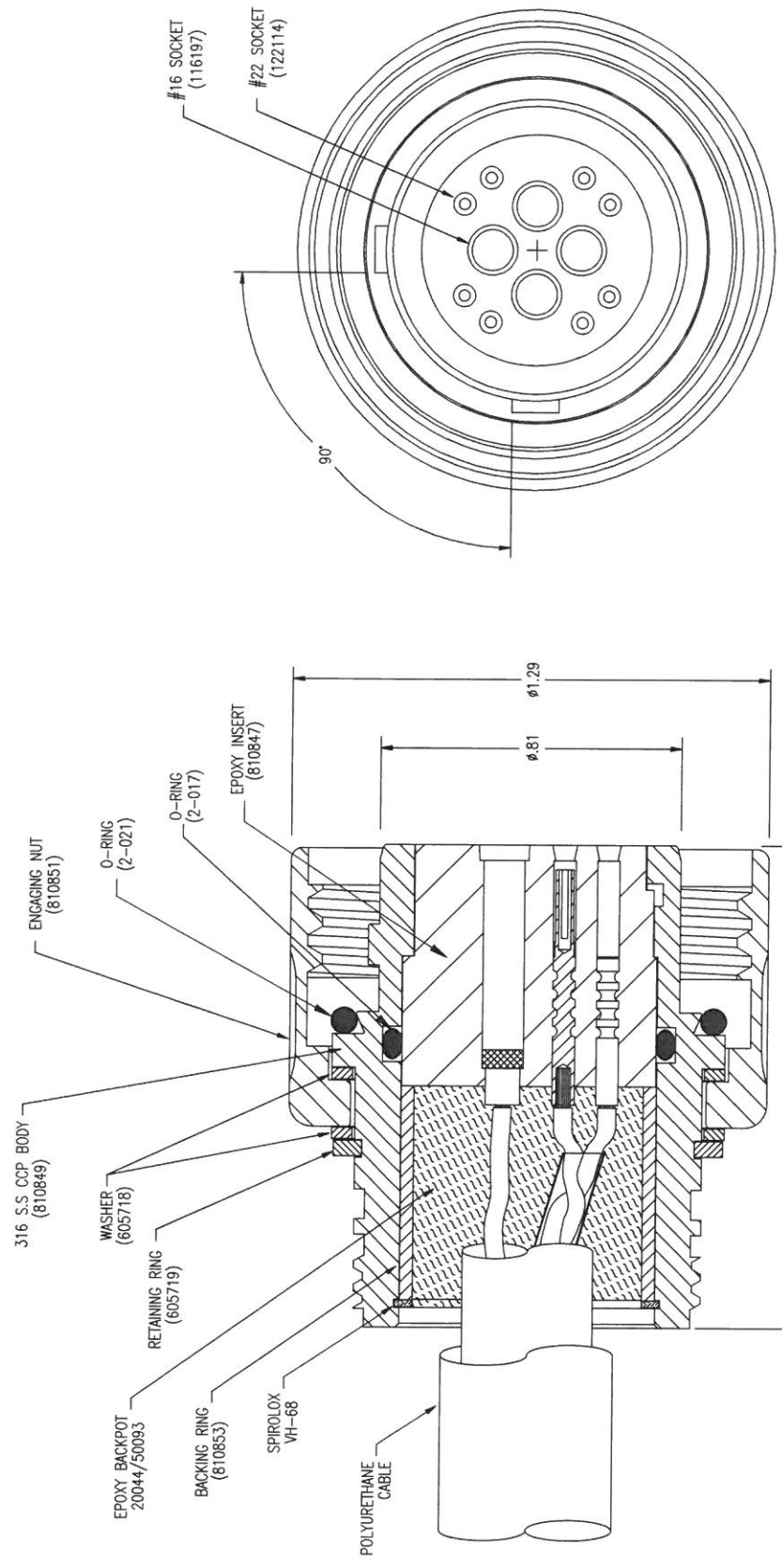


NOTES (UNLESS OTHERWISE SPECIFIED):

AUTHORITY	REV	DATE	CHANGE	BY
01-140714	A	07/24/12	BASED ON DRAWING 810805	RWS



UNLESS OTHERWISE SPECIFIED TOLERANCES ARE IN INCHES:		APPROVALS	DATE								
.X ± .030	12.5° MAX	DRAWN <i>B. J. J.</i>	07/24/14								
.XX ± .010	ANGLES ± 0° 30'	CHECKED									
.XXX ± .005	FRACTIONS ± 1/32	ENG									
.XXXX ± .0005		MANF									
MATERIAL:		MATL CRTL									
FINISH:		DA									
DO NOT SCALE DRAWING											
<table border="1"> <tr> <td>TELEDYNE IMPULSE</td> <td>THIS DOCUMENT CONTAINS PROPRIETARY INFORMATION AND IS THE PROPERTY OF IMPULSE. IT IS TO BE USED ONLY UNDER THE CONDITIONS THAT THE INFORMATION HAS BEEN OBTAINED IN CONFIDENCE AND NOT BE REPRODUCED OR TRANSMITTED IN ANY FORM OR BY ANY MEANS, ELECTRONIC OR MECHANICAL, INCLUDING PHOTOCOPYING, RECORDING, OR BY ANY INFORMATION STORAGE AND RETRIEVAL SYSTEM, WITHOUT THE EXPRESS WRITTEN PERMISSION OF IMPULSE.</td> </tr> <tr> <td>MANUFACTURERS OF UNDERWATER CONNECTORS</td> <td></td> </tr> <tr> <td>10000 WILSON AVENUE, SUITE 100</td> <td></td> </tr> <tr> <td>TEL: (800) 962-3100 FAX: (800) 962-3111</td> <td></td> </tr> </table>				TELEDYNE IMPULSE	THIS DOCUMENT CONTAINS PROPRIETARY INFORMATION AND IS THE PROPERTY OF IMPULSE. IT IS TO BE USED ONLY UNDER THE CONDITIONS THAT THE INFORMATION HAS BEEN OBTAINED IN CONFIDENCE AND NOT BE REPRODUCED OR TRANSMITTED IN ANY FORM OR BY ANY MEANS, ELECTRONIC OR MECHANICAL, INCLUDING PHOTOCOPYING, RECORDING, OR BY ANY INFORMATION STORAGE AND RETRIEVAL SYSTEM, WITHOUT THE EXPRESS WRITTEN PERMISSION OF IMPULSE.	MANUFACTURERS OF UNDERWATER CONNECTORS		10000 WILSON AVENUE, SUITE 100		TEL: (800) 962-3100 FAX: (800) 962-3111	
TELEDYNE IMPULSE	THIS DOCUMENT CONTAINS PROPRIETARY INFORMATION AND IS THE PROPERTY OF IMPULSE. IT IS TO BE USED ONLY UNDER THE CONDITIONS THAT THE INFORMATION HAS BEEN OBTAINED IN CONFIDENCE AND NOT BE REPRODUCED OR TRANSMITTED IN ANY FORM OR BY ANY MEANS, ELECTRONIC OR MECHANICAL, INCLUDING PHOTOCOPYING, RECORDING, OR BY ANY INFORMATION STORAGE AND RETRIEVAL SYSTEM, WITHOUT THE EXPRESS WRITTEN PERMISSION OF IMPULSE.										
MANUFACTURERS OF UNDERWATER CONNECTORS											
10000 WILSON AVENUE, SUITE 100											
TEL: (800) 962-3100 FAX: (800) 962-3111											
ASSEMBLY, NET(L)-CCP											
SIZE	PROJECT/ACCT. NO. DWG. NO.	REV									
B	810845	A									
SCALE	NONE	DISK #									
			SHEET 1 OF 1								