

PIN	FUNCTION
1	V AC LIVE
2	V AC NEUTRAL
3	RS458 +
4	RS485 -
5	DC GND
6	CHASSIS GND
7	N/C
8	N/C

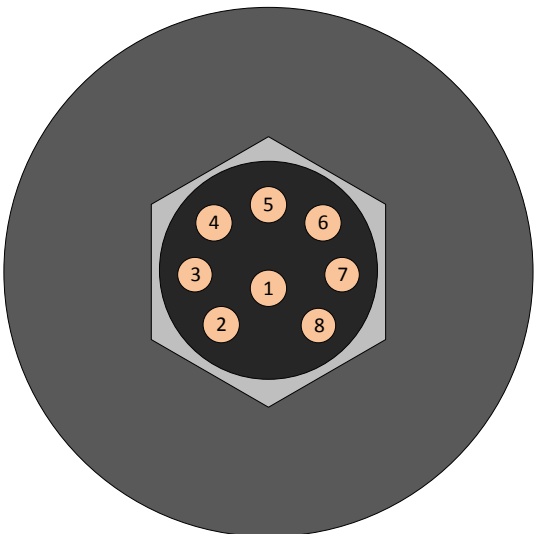
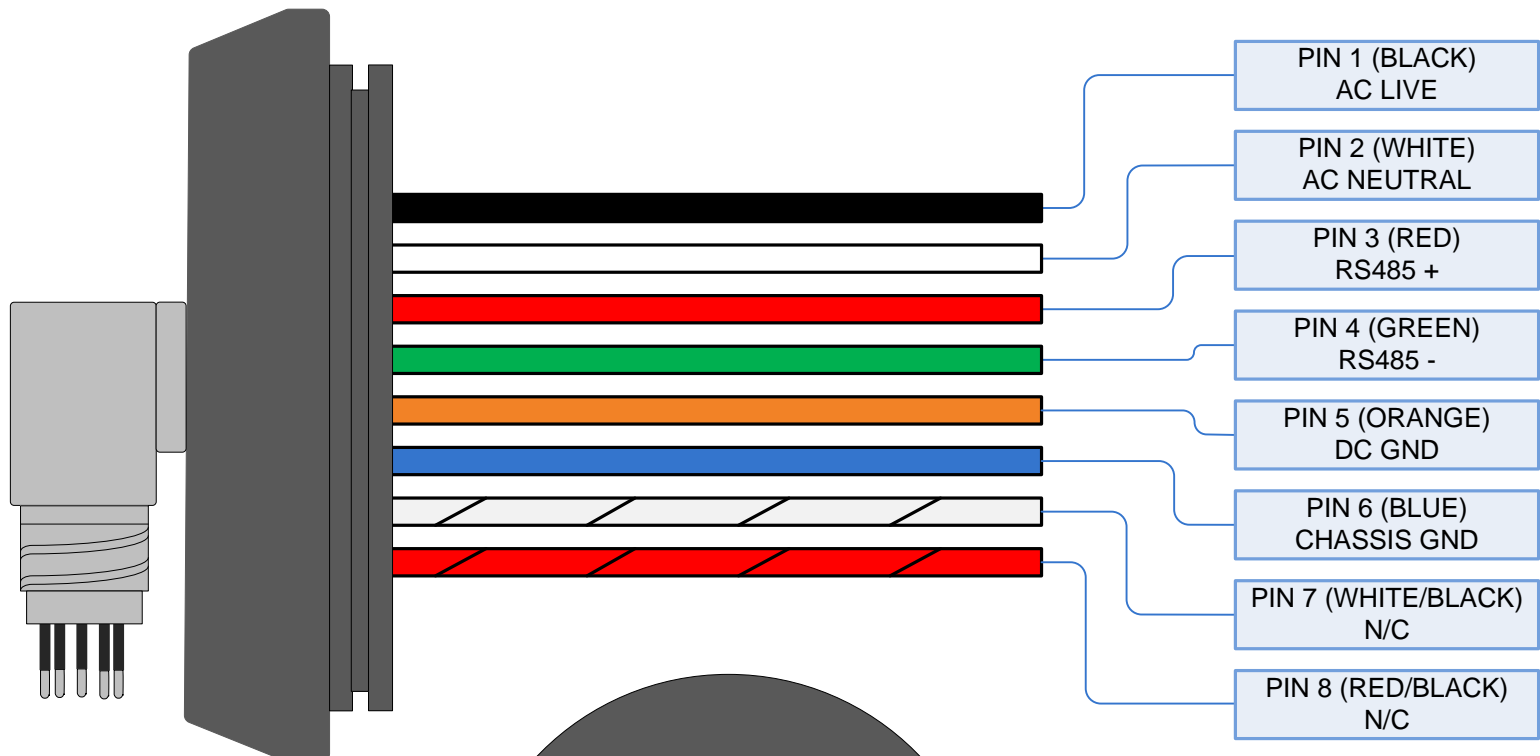


CATHX OCEAN LTD

TITLE: Series 16 Subconn Connector
MCBHRA8M Pinout – No Triggers

DWG No CA80-0395

REV	NAME	ECN	DATE	DRAWN BY
1.0	Series 16 Pinout - No Triggers	PR-0288	11/11/2015	E Braithwaite

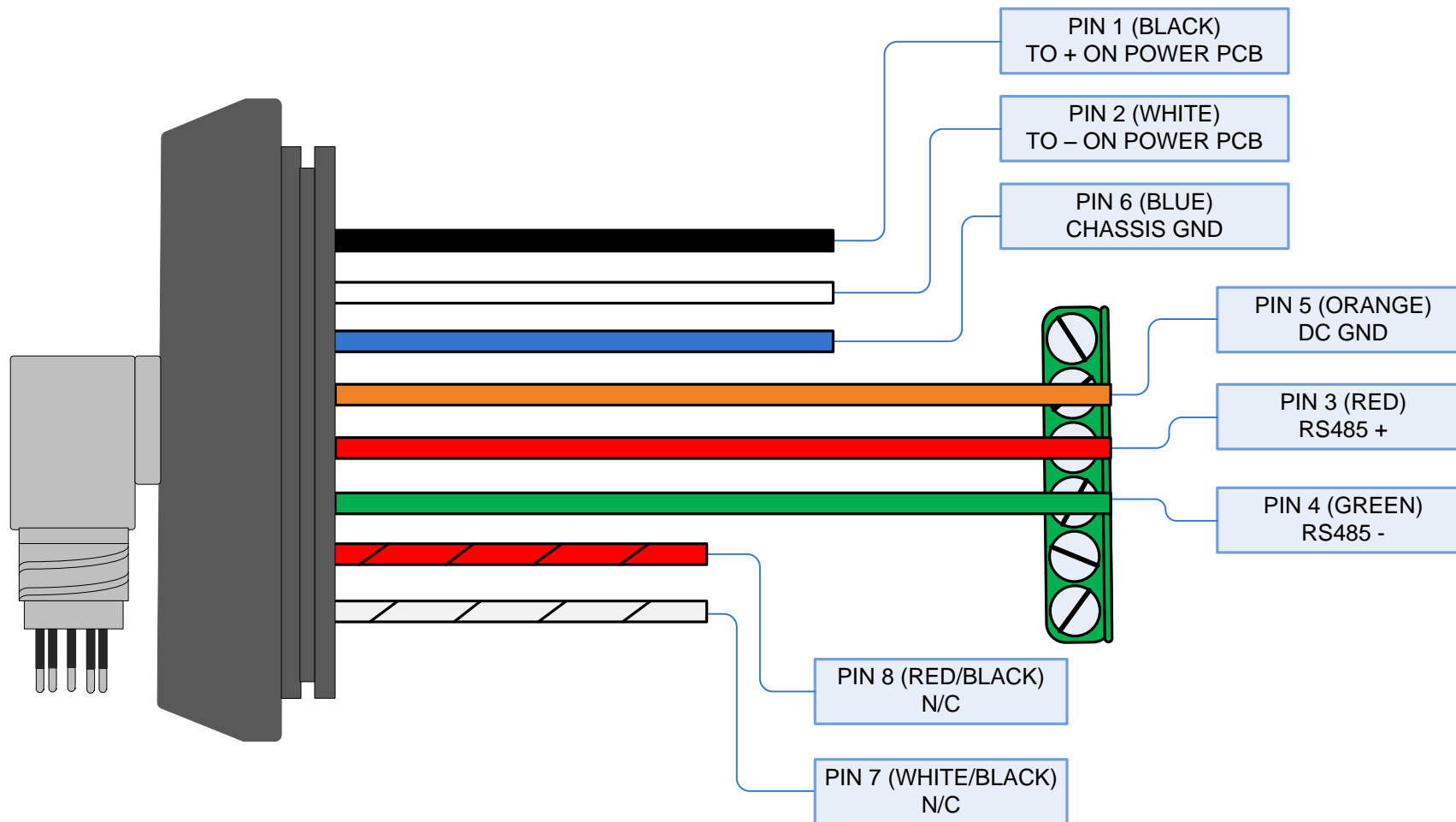


CATHX OCEAN LTD

TITLE: Series 16 Subconn Connector
MCBHRA8M Pinout – No Triggers

DWG No CA80-0395

REV	NAME	ECN	DATE	DRAWN BY
1.0	Series 16 Pinout - No Triggers	PR-0288	11/11/2015	E Braithwaite



CATHX OCEAN LTD

TITLE: Series 16 Subconn Connector
MCBHRA8M Pinout – No Triggers

DWG No **CA80-0395**

REV	NAME	ECN	DATE	DRAWN BY
1.0	Series 16 Pinout No Triggers	PR-0288	11/11/2015	E Braithwaite